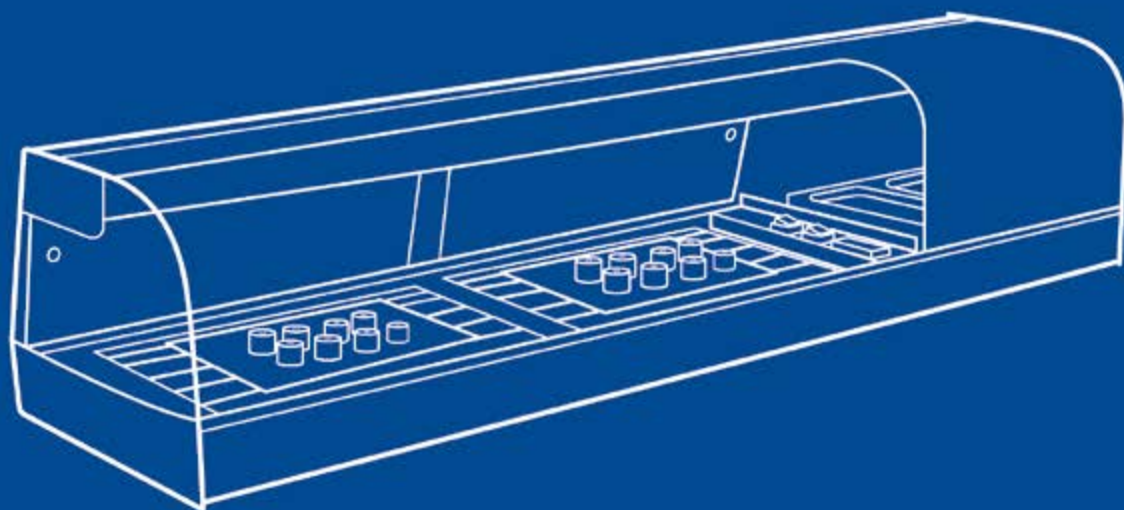


CATALOGUE

Vitrines cabinets for the hotel and catering industry



2023

Chilled • Heated • Neutral

VG
VITRINAS GÓMEZ S.L.



VITRINAS GÓMEZ S.L.
vitrinas para hostelería

Document author:

Vitrinas Gómez S.L.

Contact information:

Information: comercial@vitrinasgomez.com

Orders: pedidos@vitrinasgomez.com

Administration: administración@vitrinasgomez.com

Telephone: +34 967 254 029

686 047 146

Date: 08-02-2023

Design: lagahe.com

Document license:

Copyright © 2018, Vitrinas Gómez S.L.



VITRINAS GÓMEZ S.L.



VITRINAS GÓMEZ S.L., dedicated to the manufacture of display cabinets for the hotel and catering industry with over 25 years of experience.

Presenting the new 2023 Catalogue, with all our products and many new products both in both cold, hot and neutral display cabinets.

Having a wide range of serially manufactured products but likewise offering the option of manufacturing any CUSTOMISED display cabinet.

NEW

2023 NEW PRODUCTS

Sushi Chilled Display Case
Straight glass (Pg.17)



Sushi Remote Group Display Case
Straight glass (Pg.66-67)



Sushi Chilled Display Case
Curved glass (Pg.18)



Chilled Display Case
Straight glass with 2 shelves (Pg.26-27)



Refrigerated tray double display case (Pg.36)



Remote Group Display Cases
Straight glass HEIGHT 180 mm. (Pg.48-49)



Remote Group Display Case
Straight glass 2 shelves (Pg.71)



2023 NEW PRODUCTS

NEW

MIXED COLD + HEAT DISPLAY CASE (Pg.72)



Neutral display cabinets 2 shelves (Pg.108)







CHILLED

Display Cabinet



Built-in Group

pages 12 - 37



Remote Group

pages 38- 76



Ingredients Display Cabinets

pages 77 - 79



Beverage Display Cabinets Wine Coolers

pages 80 - 81

BUILT-IN GROUP
CHILLED DISPLAY CASE



- HIGH TEMPERATURE Airtight Compressor
- Single phase 220V / 240V 50hz
- Performance 217W to - 10°C.
- C /V 1/8.
- Consumption 209 W.
- Working temperature + 1°C / + 5°C to 25°C Air temperature.
- R-290 refrigerant gas.



- Temperature control via digital electronic thermostat with constant reading and defrosting option.



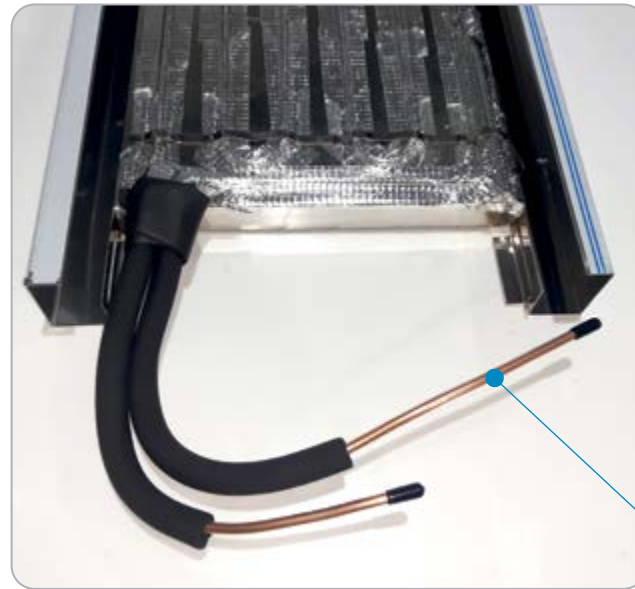
- Sanitary profile for a proper cleaning of the sliding guides.



- Waterproof LED light COLD LIGHT IP 65 protection.



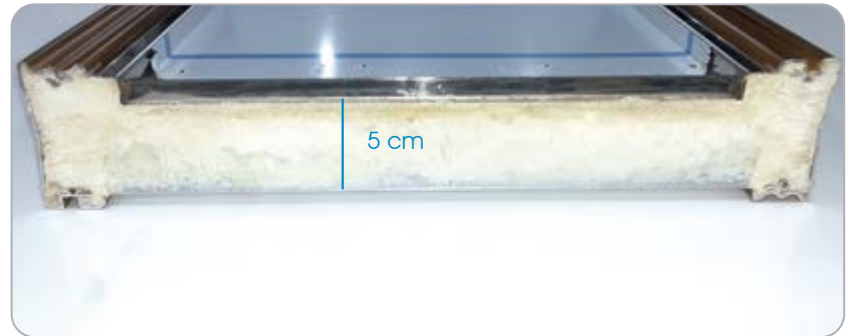
- Capacitor LU-VE Condenser



- Interior copper evaporator 1/4 0.8 mm thick
- Fastening to the base with mesh tape and stainless steel sheet spot welded strips



- 1 mm thick Steel AISI 304 stainless steel interior display case tray



- 5 cm CFS-free polyurethane injected display case interior.

i Choose at no cost the motor side according to server, left or right

BUILT-IN GROUP CHILLED DISPLAY CASE



Page
14

20R-F6

Curved Glass 20° Radius



Page
20

FR-6i

Curved Glass



Page
15

20R-F150

Curved Glass 20° Radius



Page
21

FR-6iE

Curved Glass with Shelf



Page
16

SHS-200i

Sushi Display case



Page
22

R-6i

Straight glass



Page
19

SHS-6iE

Sushi display case with shelf



Page
23

R-4iE

Straight glass with shelf





Page 24

ABF-6C

Curved Glass with Open Shelf



Page 29

VN-6E

Curved Glass with Vinyl Decoration with Shelf



Page 33

MB-6

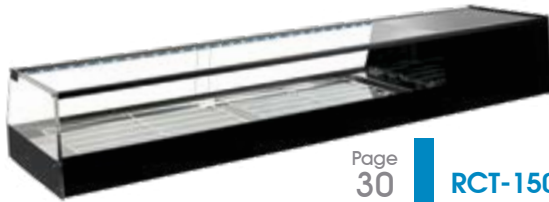
Melamine Tray Display Case 1/3 h65



Page 25

ABF-6R

Straight Glass with Open Shelf



Page 30

RCT-150

Straight Glass to Bar Level



Page 34

F-BLACK120

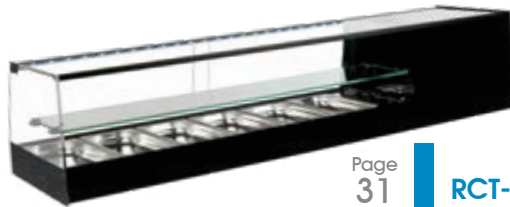
Curved Glass to Bar Level



Page 26

A2BF

Straight Glass with 2 Shelves



Page 31

RCT-6E

Straight Glass with Shelf up Bar Level



Page 35

CTB-6

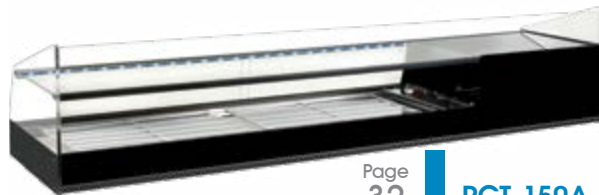
Counter Bar Display case



Page 28

VN-150

Curved Glass with Vinyl Decoration



Page 32

RCT-150A

Straight Glass with open Shelf to bar level



Page 36

DB-Fi6

Double Chilled Display Case





BUILT-IN GROUP

CHILLED DISPLAY CASE

Silver - Walnut - White - Black

STRAIGHT
GLASS



Working
Temperature



+1°/+5°

Available
accessories



Page
82

Technical
specifications



Page
10

20R Model

- LED lighting.
- Sliding methacrylate doors.
- Tempered Curved Glass 20° Radius.

CURVED GLASS
20° RADIUS

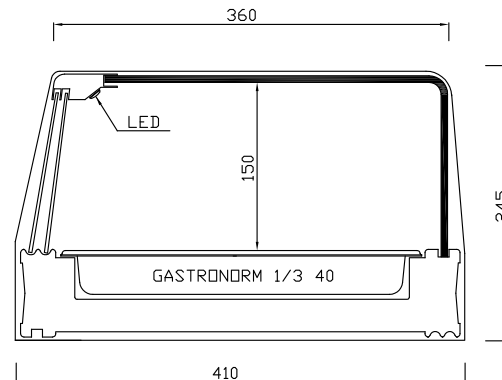


20R-F6

INCLUDED
Trays



CURVED GLASS 20° RADIUS



Model	Length	Depth	Height	Trays (Included)	Silver/Walnut/White/Black
20R-F4	1216	410	245	4	1.360 €
20R-F6	1566	410	245	6	1.440 €
20R-F8	1926	410	245	8	1.630 €

STRAIGHT
GLASS



Working
Temperature



+1°/+5°

Available
accessories



Page
82

Technical
specifications



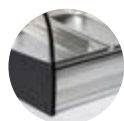
Page
10

BUILT-IN GROUP

CHILLED DISPLAY CASE



Cold plate



SILVER



WALNUT



WHITE



BLACK

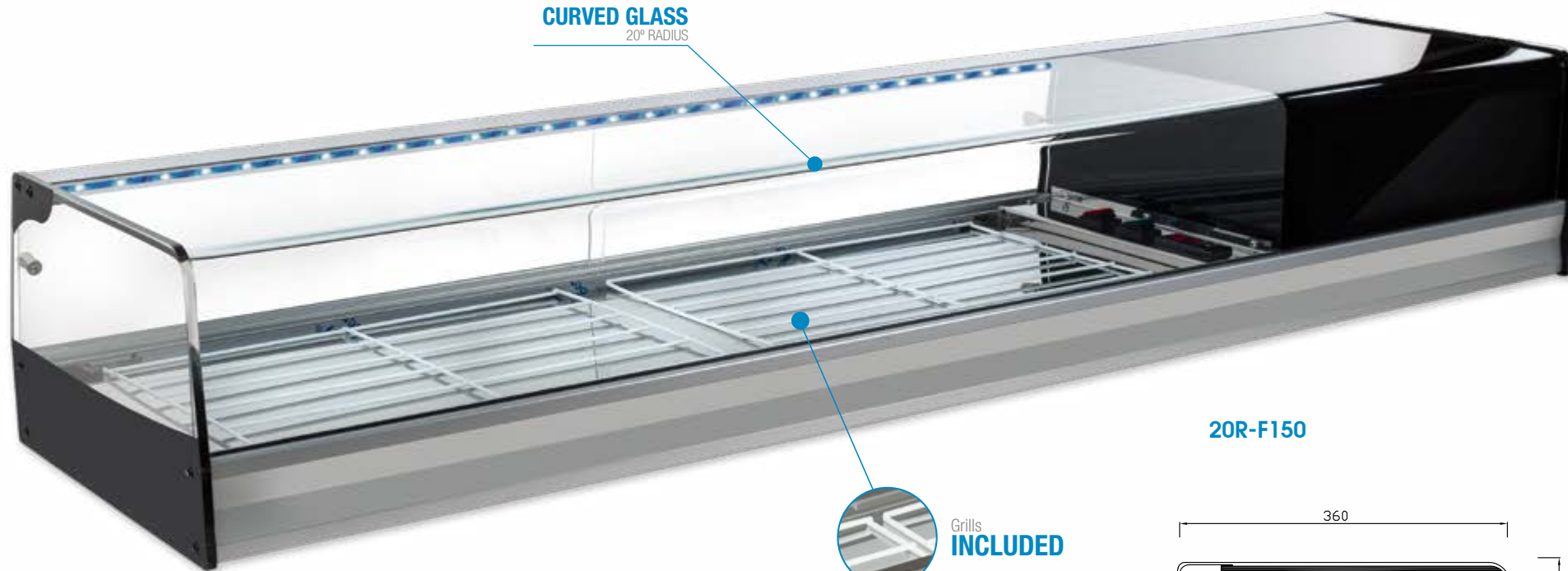
LED

Lighting



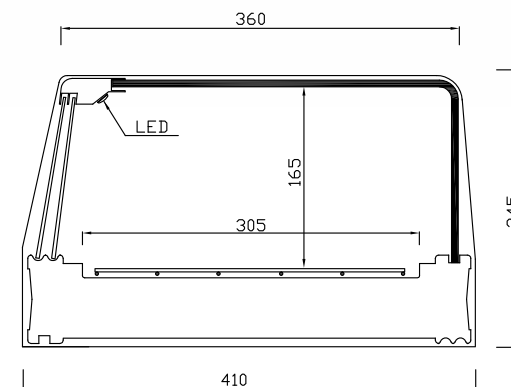
CURVED GLASS

20° RADIUS



Grills
INCLUDED

20R-F150



Model	Length	Depth	Height	Grills	Silver/Walnut/White/Black
20R-F120	1216	410	245	1.5	1.340 €
20R-F150	1566	410	245	2	1.420 €
20R-F200	1926	410	245	3	1.610 €



BUILT-IN GROUP

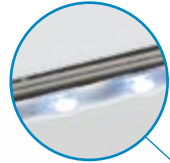
CHILLED SUSHI DISPLAY CASE

Cold Plate and Upper Evaporator Cooling

SHS Model

- COLD PLATE AND UPPER EVAPORATOR STATIC COOLING.
- Upper Evaporator drain tray.
- Drain hose in the server area.
- BLACK framing and glass decoration.
- Tempered Curved Glass 20° Radius.
- LED lighting.
- Sliding methacrylate doors.

LED
Lighting



CURVED GLASS 20° RADIUS



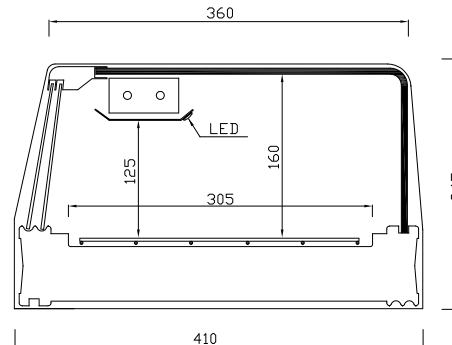
SHS-200i

Model	Length	Depth	Height	Trays	RETAIL PRICE
SHS-4i	1216	410	245	4	1.660 €
SHS-6i	1566	410	245	6	1.745 €
SHS-8i	1926	410	245	8	1.935 €

Model	Length	Depth	Height	Grills	RETAIL PRICE
SHS-120i	1216	410	245	1.5	1.640 €
SHS-150i	1566	410	245	2	1.725 €
SHS-200i	1926	410	245	3	1.915 €

UPPER EVAPORATOR

DRAIN TRAY





Straight glass with framing

SU
Model



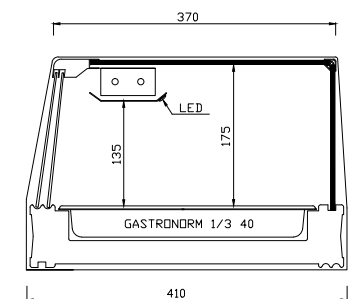
- COLD PLATE AND UPPER EVAPORATOR STATIC COOLING.
- Upper Evaporator drain tray.
- Drain hose in the server area.
- BLACK framing and glass decoration.
- Straight Glass.
- LED lighting.
- Sliding methacrylate doors.
- SILVER - WALNUT - WHITE - BLACK framing

UPPER EVAPORATOR

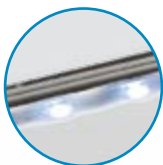
SU-6 BLACK



SUPPLEMENTARY TRAY
MELAMINE 1/3 h40
4 units. 6 units. 8 units.
48 € 72 € 96 €



LED
Lighting

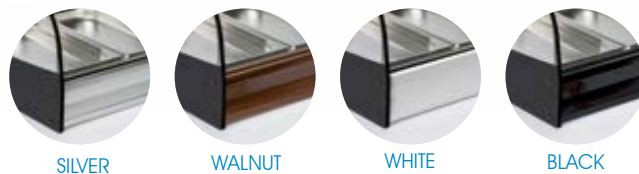
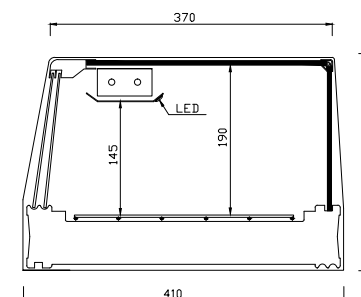


SU-150 BLACK

GLASS JOINT FRAME



Model	Length	Depth	Height	Trays	Silver/Walnut/White/Black
SU-4	1216	410	272	4	1.390 €
SU-6	1566	410	272	6	1.420 €
SU-8	1926	410	272	8	1.550 €



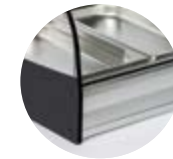
Model	Length	Depth	Height	Grills	Silver/Walnut/White/Black
SU-120	1216	410	272	1.5	1.370 €
SU-150	1566	410	272	2	1.400 €
SU-200	1926	410	272	3	1.530 €



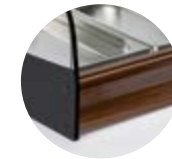
BUILT-IN GROUP

SUSHI CHILLED DISPLAY CASE

Cold Plate and Upper Evaporator Cooling



SILVER



WALNUT



WHITE



BLACK

SUC

Model

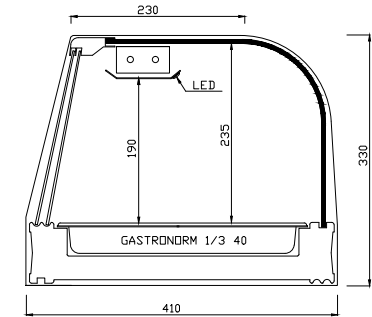
NEW

- COLD PLATE AND UPPER EVAPORATOR STATIC COOLING.
- Evaporator drain tray. Upper
- Drain hose in the server area.
- BLACK framing and glass decoration.
- Tempered Curved Glass.
- LED lighting.
- Sliding methacrylate doors.
- SILVER - WALNUT - WHITE - BLACK framing.

UPPER EVAPORATOR



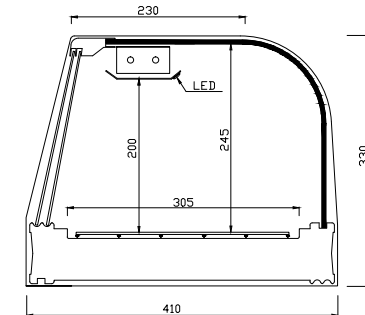
SUC-6 BLACK



Special Manufacture
CUSTOMISED

Request a quote

SUC-150 BLACK



SUPPLEMENTARY TRAY

MELAMINE 1/3 h40

4 units. 6 units. 8 units.

48 € 72 € 96 €



Model	Length	Depth	Height	Trays (Included)	Silver/Walnut/White/Black
SUC-4	1216	410	330	4	1.420 €
SUC-6	1566	410	330	6	1.450 €
SUC-8	1926	410	330	8	1.580 €

Model	Length	Depth	Height	Grills (Included)	Silver/Walnut/White/Black
SUC-120	1216	410	330	1.5	1.400 €
SUC-150	1566	410	330	2	1.430 €
SUC-200	1926	410	330	3	1.560 €

STRAIGHT
GLASS

Working
Temperature

+1°/+5°

Available
accessories

Page
82

Technical
specifications

Page
10

BUILT-IN GROUP

CHILLED SUSHI DISPLAY CASE



Intermediate shelf

SHS-E Model

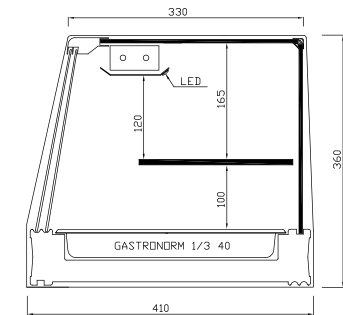
- COLD PLATE AND UPPER EVAPORATOR STATIC COOLING .
- Evaporator drain tray.
- Drain hose in the server area.
- BLACK framing and glass decoration.
- Tempered Curved Glass 20° Radius.
- LED lighting.
- Intermediate Shelf.
- Sliding methacrylate doors.
- SILVER - WALNUT - WHITE - BLACK framing.

UPPER EVAPORATOR

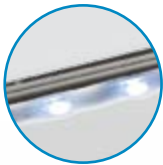
SHS-6iE BLACK



SUPPLEMENTARY TRAY
MELAMINE 1/3 h40
4 units. 6 units. 8 units.
48 € 72 € 96 €

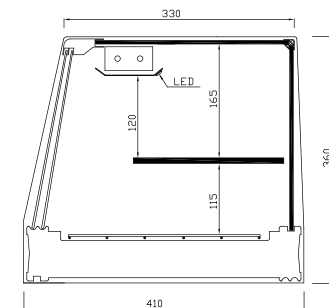


LED
Lighting



SHS-150iE BLACK

Model	Length	Depth	Height	Trays	RETAIL PRICE
SHS-4iE	1216	410	360	4	1.740 €
SHS-6iE	1566	410	360	6	1.780 €
SHS-8iE	1926	410	360	8	1.970 €



Model	Length	Depth	Height	Grills	RETAIL PRICE
SHS-120iE	1216	410	360	1.5	1.720 €
SHS-150iE	1566	410	360	2	1.760 €
SHS-200iE	1926	410	360	3	1.950 €



BUILT-IN GROUP

CHILLED DISPLAY CABINET

Silver - Walnut - White - Black - Stainless steel



Working Temperature



Available accessories



Technical specifications



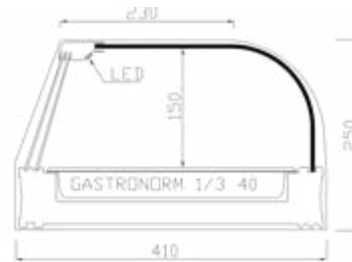
FR i Model

- LED lighting.
- Sliding methacrylate doors.
- Black curved glass decoration.
- Tempered safety glass.

FR-6i SILVER



Trays INCLUDED



Special Manufacture

CUSTOMISED

Request a quote

SUPPLEMENTARY TRAY
 MELAMINE 1/3 h40
 4 units. 6 units. 8 units.
 48 € 72 € 96 €



SILVER



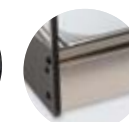
WALNUT



WHITE



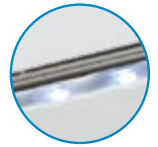
BLACK



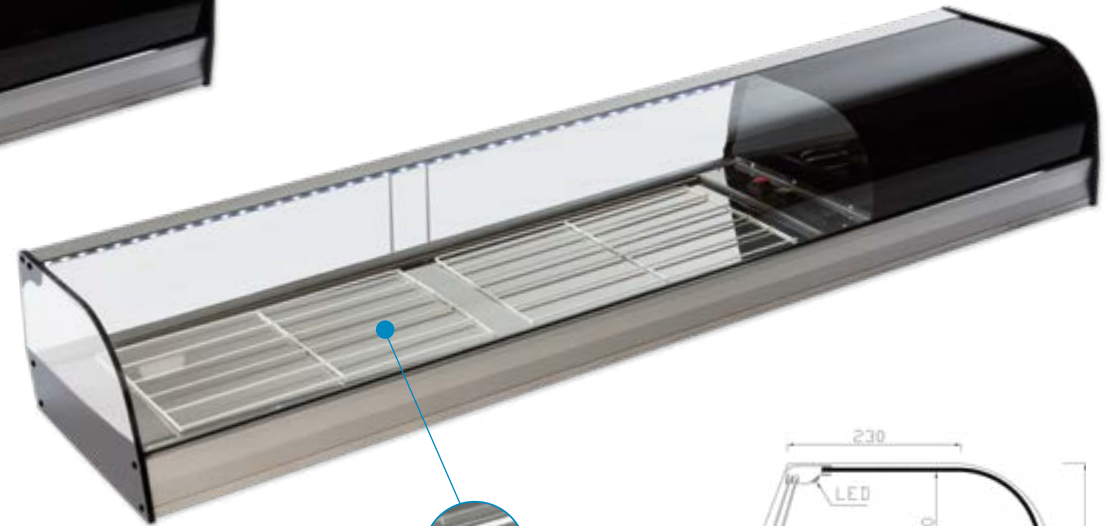
STAINLESS STEEL

LED

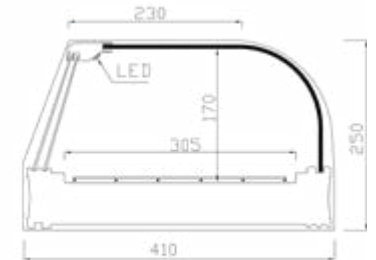
Lighting



FR-150i SILVER



Grills INCLUDED



Model	Length	Depth	Height	Trays (Included)	Silver/Walnut/White/Black	Stainless steel
FR-4i	1216	410	250	4	1.130 €	1.265 €
FR-6i	1566	410	250	6	1.200 €	1.345 €
FR-8i	1926	410	250	8	1.340 €	1.500 €

Model	Length	Depth	Height	Grills (Included)	Silver/Walnut/White/Black	Stainless steel
FR-120i	1216	410	250	1.5	1.110 €	1.245 €
FR-150i	1566	410	250	2	1.180 €	1.325 €
FR-200i	1926	410	250	3	1.320 €	1.480 €

CURVED GLASS



Working Temperature



+1°/+5°

Available accessories



Page 82

Technical specifications



Page 10

BUILT-IN GROUP

CHILLED DISPLAY CABINET



Intermediate shelf

FR iE
Model



SILVER



WALNUT



WHITE



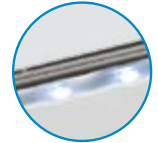
BLACK



STAINLESS STEEL

LED

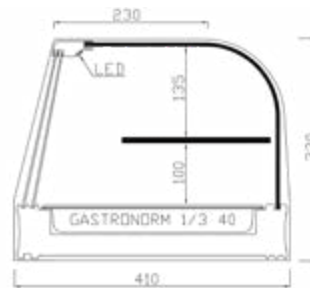
Lighting



FR-6iE WALNUT



INCLUDED Trays

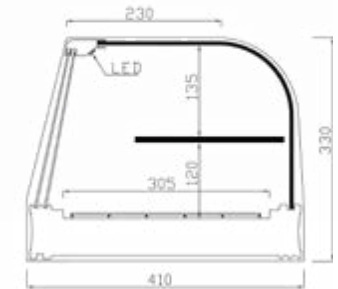


SUPPLEMENTARY TRAY
MELAMINE 1/3 h40
4 units. 6 units. 8 units.
48 € 72 € 96 €

FR-150iE WALNUT



INCLUDED Grills



Special Manufacture
CUSTOMISED
Request a quote

Model	Length	Depth	Height	Trays (Included)	Silver/Walnut/White/Black	Stainless steel
FR-4iE	1216	410	330	4	1.300 €	1.455 €
FR-6iE	1566	410	330	6	1.380 €	1.545 €
FR-8iE	1926	410	330	8	1.505 €	1.685 €

Model	Length	Depth	Height	Grills (Included)	Silver/Walnut/White/Black	Stainless steel
FR-120iE	1216	410	330	1.5	1.280 €	1.435 €
FR-150iE	1566	410	330	2	1.360 €	1.525 €
FR-200iE	1926	410	330	3	1.485 €	1.665 €



BUILT-IN GROUP

CHILLED DISPLAY CASE

Silver - Walnut - White - Black - Stainless steel

STRAIGHT GLASS



Working Temperature



+1°/+5°

Available accessories



Page 82

Technical specifications



Page 10

Ri Model

- LED lighting.
- Methacrylate sliding doors.
- Black curved glass decoration.



SILVER



WALNUT



WHITE



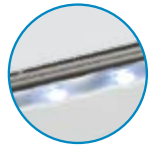
BLACK



STAINLESS STEEL

LED

Lighting



R-6i SILVER



Trays INCLUDED



R-150i SILVER



Grills INCLUDED



Special Manufacture **CUSTOMISED**

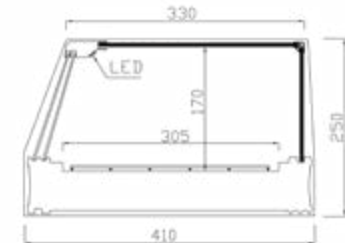
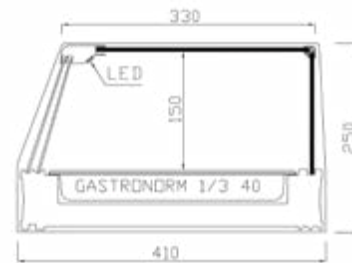
Request a quote

SUPPLEMENTARY TRAY

MELAMINE 1/3 h40

4 units. 6 units. 8 units. 10 units.

48 € 72 € 96 € 120 €



Model	Length	Depth	Height	Trays (Included)	Silver/Walnut/White/Black	Stainless steel
R-4i	1216	410	250	4	1.095 €	1.225 €
R-6i	1566	410	250	6	1.170 €	1310 €
R-8i	1926	410	250	8	1.300 €	1.455 €
R-10i	2266	410	250	10	1.510 €	1.690 €

Model	Length	Depth	Height	Grills (Included)	Silver/Walnut/White/Black	Stainless steel
R-120i	1216	410	250	1.5	1.075 €	1.205 €
R-150i	1566	410	250	2	1.150 €	1.290 €
R-200i	1926	410	250	3	1.280 €	1.435 €
R-250i	2416	410	250	4	1.600 €	1.790 €

STRAIGHT GLASS

Working Temperature +1°/+5°

Available accessories Page 94

Technical specifications Page 95

BUILT-IN GROUP CHILLED DISPLAY CASE



Intermediate shelf

R iE
Model



SILVER



WALNUT



WHITE



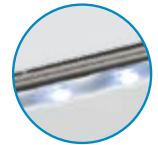
BLACK



STAINLESS STEEL

LED

Lighting



R-4iE WALNUT



Trays
INCLUDED



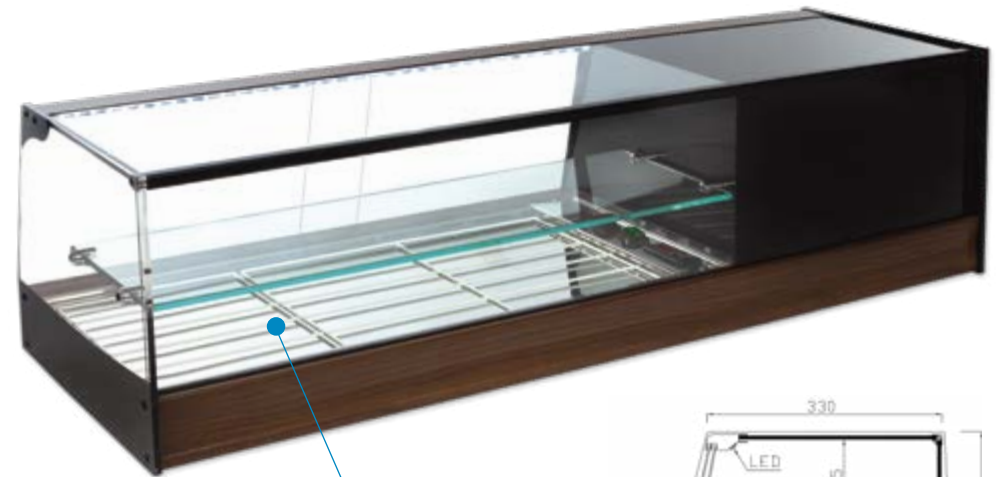
Special Manufacture
CUSTOMISED

Request a quote

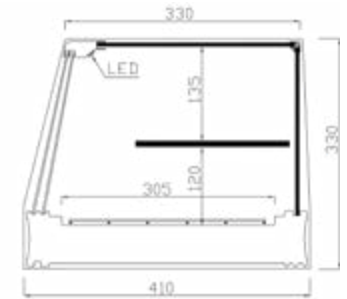
SUPPLEMENTARY TRAY
MELAMINE 1/3 h40
4 units. 6 units. 8 units. 10 units.
48 € 72 € 96 € 120 €



R-120iE WALNUT



Grills
INCLUDED



Model	Length	Depth	Height	Trays (Included)	Silver/Walnut/White/Black	Stainless steel
R-4iE	1216	410	330	4	1.300 €	1.455 €
R-6iE	1566	410	330	6	1.380 €	1.545 €
R-8iE	1926	410	330	8	1.505 €	1.685 €
R-10iE	2266	410	330	10	1.850 €	2.070 €

Model	Length	Depth	Height	Grills (Included)	Silver/Walnut/White/Black	Stainless steel
R-120iE	1216	410	330	1.5	1.280 €	1.435 €
R-150iE	1566	410	330	2	1.360 €	1.525 €
R-200iE	1926	410	330	3	1.485 €	1.665 €
R-250iE	2416	410	330	4	1.940 €	2.170 €



BUILT-IN GROUP CHILLED DISPLAY CASE

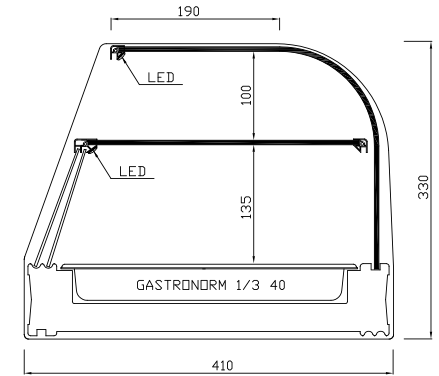
Built-in group open shelf chilled display cabinet



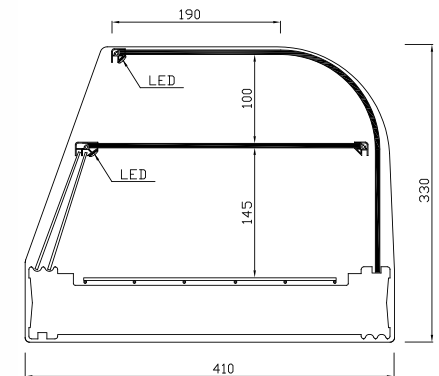
ABF Model

- Dual LED lighting.
- Methacrylate sliding doors to Intermediate shelf.
- CURVED/ STRAIGHT Glass.

ABF-6C SILVER



ABF-150C SILVER



Special Manufacture
CUSTOMISED
Request a quote

SUPPLEMENTARY TRAY
MELAMINE 1/3 h40
4 units. 6 units. 8 units.
48 € 72 € 96 €



Model	Length	Depth	Height	Trays (Included)	Silver/Walnut/White/Black	Stainless steel
ABF-4C	1216	410	330	4	1.335 €	1.495 €
ABF-6C	1566	410	330	6	1.410 €	1.580 €
ABF-8C	1926	410	330	8	1.535 €	1.720 €

Model	Length	Depth	Height	Grills (Included)	Silver/Walnut/White/Black	Stainless steel
ABF-120C	1216	410	330	1.5	1.315 €	1.475 €
ABF-150C	1566	410	330	2	1.390 €	1.560 €
ABF-200C	1926	410	330	3	1.515 €	1.700 €

CURVED GLASS



Working Temperature



+1°/+5°

Available accessories



Page 82

Technical specifications



Page 10

BUILT-IN GROUP CHILLED DISPLAY CASE



DUAL LED Lighting



ABF-6R BLACK



ABF-150C BLACK

SUPPLEMENTARY TRAY

MELAMINE 1/3 h40
4 units. 6 units. 8 units. 10 units.
48 € 72 € 96 € 120 €



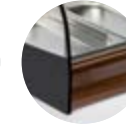
Special Manufacture

CUSTOMISED

Request a quote



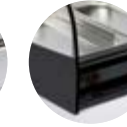
SILVER



WALNUT



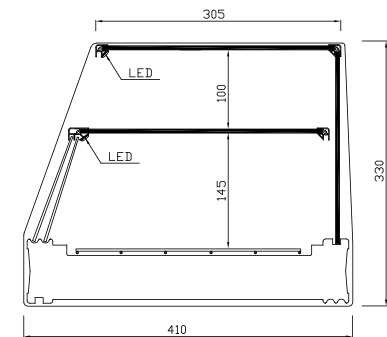
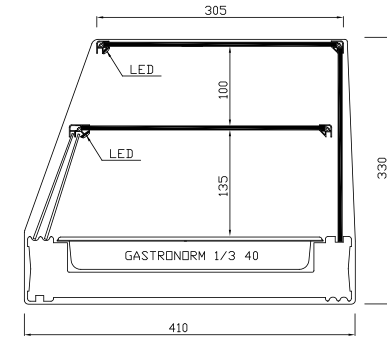
WHITE



BLACK



STAINLESS STEEL



Model	Length	Depth	Height	Trays (Included)	Silver/Walnut/White/Black	Stainless steel
ABF-4R	1216	410	330	4	1.335 €	1.495 €
ABF-6R	1566	410	330	6	1.410 €	1.580 €
ABF-8R	1926	410	330	8	1.535 €	1.720 €
ABF10R	2266	410	330	10	1.825 €	2.040 €

Model	Length	Depth	Height	Grills (Included)	Silver/Walnut/White/Black	Stainless steel
ABF-120R	1216	410	330	1.5	1.315 €	1.475 €
ABF-150R	1566	410	330	2	1.390 €	1.560 €
ABF-200R	1926	410	330	3	1.515 €	1.700 €
ABF-230R	2266	410	330	4	1.805 €	2.020 €



BUILT-IN GROUP CHILLED DISPLAY CASE

Built-in group open shelf chilled display cabinet 2 shelves

STRAIGHT
GLASS

Working
Temperature

+1°/+5°

Available
accessories

Page
82

Technical
specifications

Page
10

A2BF Model

NEW

- Triple LED lighting.
- Methacrylate sliding doors to first shelf.
- Straight Glass.
- 2 Shelves with LED lighting.
- Colour framing
SILVER - WALNUT - WHITE - BLACK / STAINLESS STEEL

A2BF-150

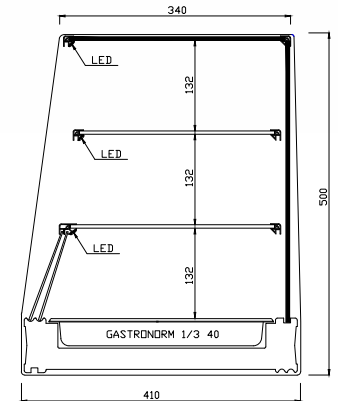


Special Manufacture
CUSTOMISED
Request a quote

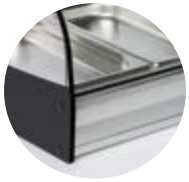
SUPPLEMENTARY TRAY
MELAMINE 1/3 h40
4 units. 6 units. 8 units. 10 units.
48 € 72 € 96 € 120 €



Model	Length	Depth	Height	Trays (Included)	Silver/Walnut/White/Black	Stainless Steel
A2BF-4	1216	410	500	4	1.600 €	1.790 €
A2BF-6	1566	410	500	6	1.730 €	1.940 €
A2BF-8	1926	410	500	8	1.880 €	2.105 €
A2BF-10	2266	410	500	10	2.190 €	2.450 €



BUILT-IN GROUP CHILLED DISPLAY CASE



SILVER



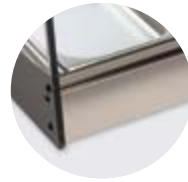
WALNUT



WHITE



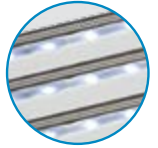
BLACK



STAINLESS
STEEL



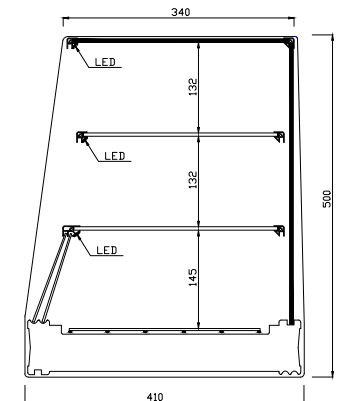
Triple
LED
Lighting



Special Manufacture
CUSTOMISED

Request a quote

A2BF-150 rear area



Model	Length	Depth	Height	Grills (Included)	Silver/Walnut/White/Black	Stainless Steel
A2BF-120	1216	410	500	1.5	1.580 €	1.770 €
A2BF-150	1566	410	500	2	1.710 €	1.920 €
A2BF-200	1926	410	500	3	1.860 €	2.085 €
A2BF-230	2266	410	500	4	2.170 €	2.430 €



BUILT-IN GROUP

DECORATED CHILLED DISPLAY CABINET

Silver - Walnut - White - Black



Working Temperature



Available accessories

Page 82

Technical specifications

Page 10

VN Model

- LED lighting.
- Methacrylate sliding doors.
- DECORATIVE VINYL curved glass decoration.
- SILVER - WALNUT - WHITE - BLACK aluminium framing
- Tempered safety glass.

VN-6 BLACK NEW YORK

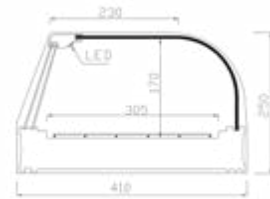
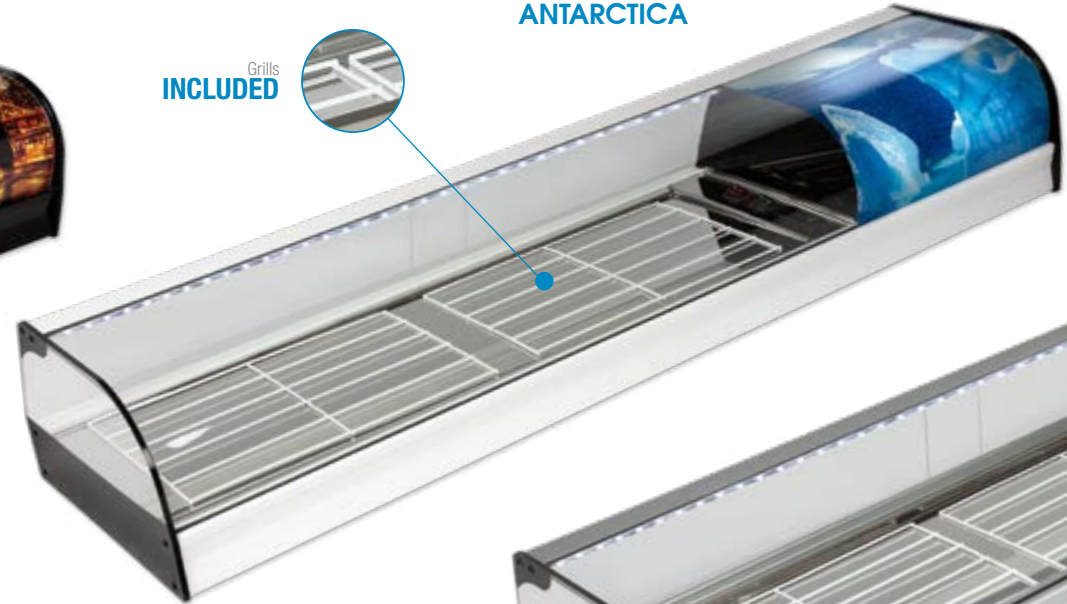


SUPPLEMENTARY TRAY
 MELAMINE 1/3 h40
 4 units. 6 units. 8 units.
 48 € 72 € 96 €



Model	Length	Depth	Height	Trays (Included)	Silver/Walnut/White/Black
VN-4	1216	410	250	4	1.160 €
VN-6	1566	410	250	6	1.230 €
VN-8	1926	410	250	8	1.370 €

VN-150 WHITE ANTARCTICA



Model	Length	Depth	Height	Grills (Included)	Silver/Walnut/White/Black
VN-120	1216	410	250	1.5	1.140 €
VN-150	1566	410	250	2	1.210 €
VN-200	1926	410	250	3	1.350 €

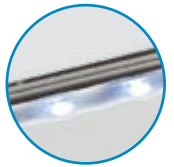


WOULD YOU LIKE TO CUSTOMISE YOUR DISPLAY CABINET WITH YOUR LOGO OR PHOTOGRAPH?

Send us a 450x450 mm, minimum 150 points resolution image, and we'll customise your display cabinet.

PRICE: €100 SURCHARGE ACCORDING TO STANDARD MODEL

Example, VN-6 + custom image: 1.180 €



LED
Lighting

BUILT-IN GROUP

DECORATED CHILLED DISPLAY CABINET



Intermediate shelf

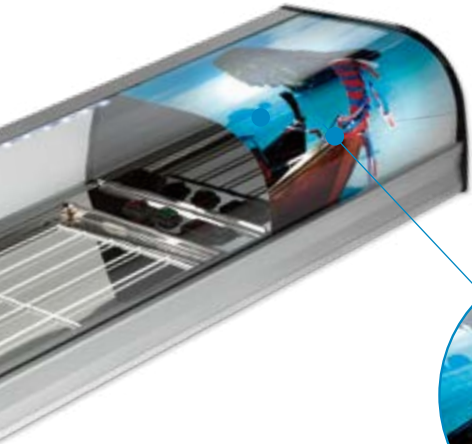
VN-6E WALNUT WINERY



Special Manufacture
CUSTOMISED

Request a quote

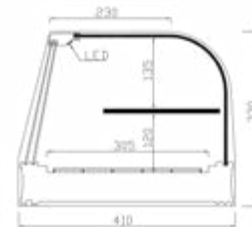
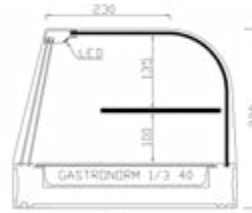
VN-150 SILVER THAILAND



Trays
INCLUDED



SUPPLEMENTARY TRAY
MELAMINE 1/3 h40
4 units. 6 units. 8 units.
48 € 72 € 96 €



Model	Length	Depth	Height	Trays (Included)	Silver/Walnut/White/Black
VN-4E	1216	410	330	4	1.330 €
VN-6E	1566	410	330	6	1.410 €
VN-8E	1926	410	330	8	1.535 €

Model	Length	Depth	Height	Grills (Included)	Silver/Walnut/White/Black
VN-120E	1216	410	330	1.5	1.310 €
VN-150E	1566	410	330	2	1.390 €
VN-200E	1926	410	330	3	1.515 €

CHOOSE A DECORATION FOR YOUR DISPLAY CABINET



ANTARCTICA



WINERY



PORT



DESERT



MOUNTAIN



BOARDWALK



BEACH



THAILAND



NEW YORK



PARIS



BUILT-IN GROUP CHILLED DISPLAY CASE

Front Glass to Bar Level

STRAIGHT
GLASS

Working
Temperature

+1°/+5°

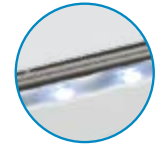
Available
accessories

Page
82

Technical
specifications

Page
10

DUAL
LED
Lighting



RCT
Model

- Front Glass to Bar Level
- BLACK framing and glass decoration.
- BLACK aluminium framing.
- Dual LED lighting.
- Sliding methacrylate doors.

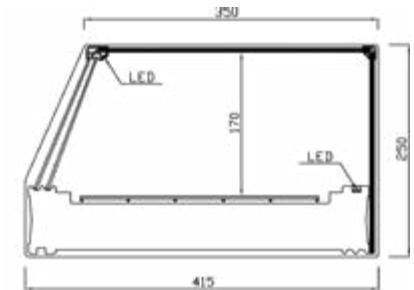
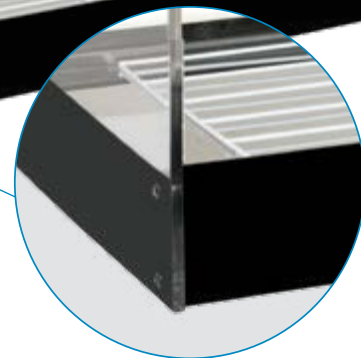
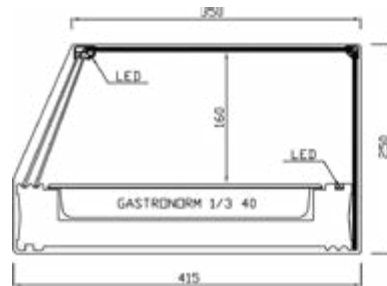
RCT-6



RCT-150



SUPPLEMENTARY TRAY
MELAMINE 1/3 h40
4 units. 6 units. 8 units.
48 € 72 € 96 €



Model	Length	Depth	Height	Trays	RETAIL PRICE
RCT-4	1216	415	250	4	1.155 €
RCT-6	1566	415	250	6	1.225 €
RCT-8	1926	415	250	8	1.365 €

Model	Length	Depth	Height	Grills	RETAIL PRICE
RCT-120	1216	415	250	1,5	1.135 €
RCT-150	1566	415	250	2	1.205 €
RCT-200	1926	415	250	3	1.345 €

BUILT-IN GROUP CHILLED DISPLAY CASE

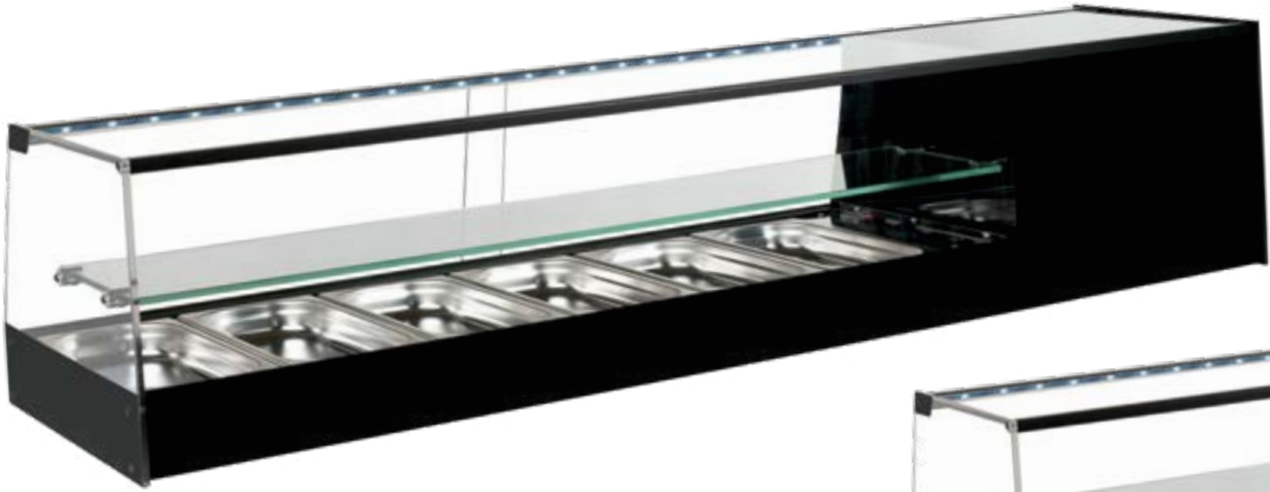


Intermediate shelf

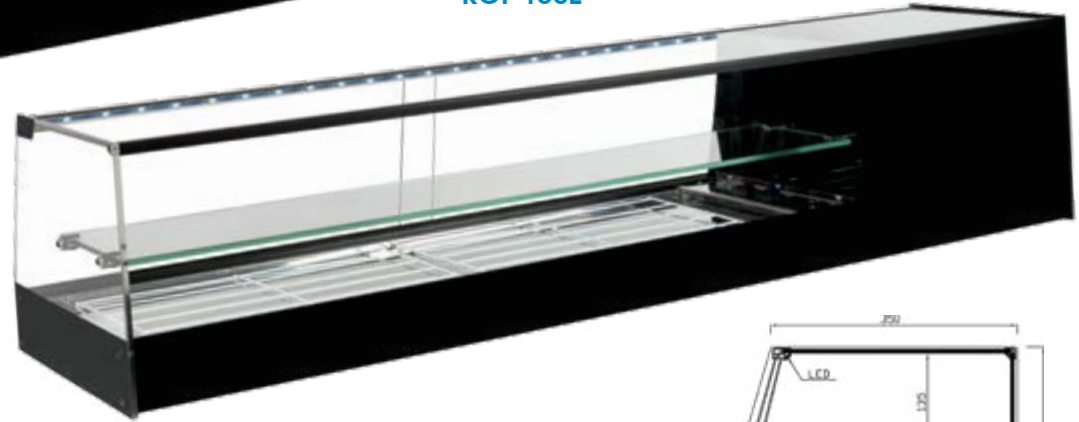


RCT-E
Model

RCT-6E

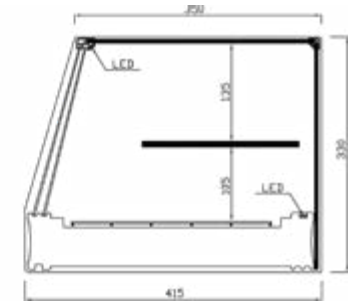
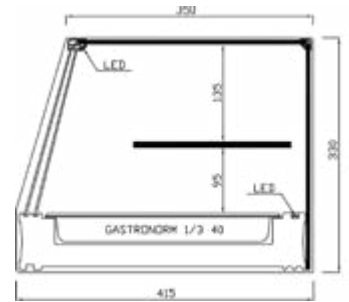


RCT-150E



Special Manufacture
CUSTOMISED
Request a quote

SUPPLEMENTARY TRAY
MELAMINE 1/3 h40
4 units. 6 units. 8 units.
48 € 72 € 96 €



Model	Length	Depth	Height	Trays	RETAIL PRICE
RCT-4E	1216	415	330	4	1.325 €
RCT-6E	1566	415	330	6	1.400 €
RCT-8E	1926	415	330	8	1.525 €

Model	Length	Depth	Height	Grills	RETAIL PRICE
RCT-120E	1216	415	330	1,5	1.305 €
RCT-150E	1566	415	330	2	1.380 €
RCT-200E	1926	415	330	3	1.505 €



BUILT-IN GROUP

CHILLED DISPLAY CASE

Cold plate

STRAIGHT
GLASS



Working
Temperature



+1°/+5°

Available
accessories



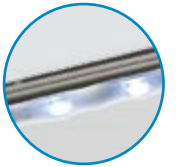
Page
82

Technical
specifications



Page
10

DUAL
LED
Lighting

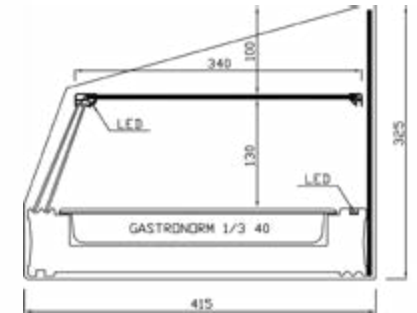


RCT-A Model

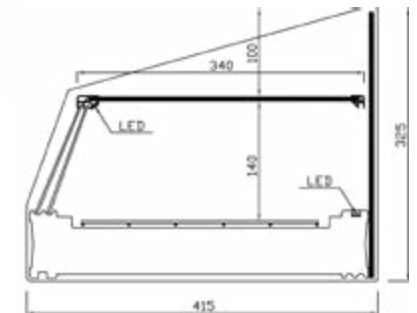
- Dual LED lighting.
- Methacrylate sliding doors to intermediate shelf.
- Frameless front glass.
- BLACK framing and glass decoration.
- BLACK aluminium framing.



RCT-6A



RCT-150A



SUPPLEMENTARY TRAY
MELAMINE 1/3 h40
4 units. 6 units. 8 units.

48 € 72 € 96 €



Model	Length	Depth	Height	Trays	RETAIL PRICE
RCT-4A	1216	415	325	4	1.190 €
RCT-6A	1566	415	325	6	1.270 €
RCT-8A	1926	415	325	8	1.415 €

Model	Length	Depth	Height	Grills	RETAIL PRICE
RCT-120A	1216	415	325	1,5	1.170 €
RCT-150A	1566	415	325	2	1.250 €
RCT-200A	1926	415	325	3	1.395 €

STRAIGHT
GLASS



Working
Temperature



+1°/+5°

Technical
specifications



Page
82

BUILT-IN GROUP

MELAMINE TRAYS CHILLED DISPLAY CABINET



1/3 h65 White Gastronorm Melamine Trays Stainless Steel

MB6 Model

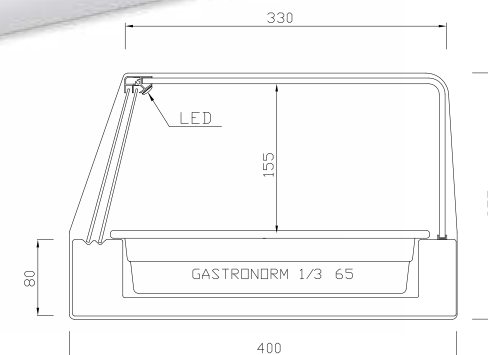
- Manufactured from AISI-304 stainless steel.
- Methacrylate sliding doors.
- Tempered Curved Glass 20° Radius.
- 1/3 h65 White Gastronorm Melamine Trays.



LED
Lighting



MB-6



Model	Length	Depth	Height	Tray 1/3 h65	RETAIL PRICE
MB-4	1216	400	255	4	1.330 €
MB-6	1566	400	255	6	1.410 €
MB-8	1926	400	255	8	1.565 €



GN 1/3 h65



CURVED GLASS 20° RADIUS



BUILT-IN GROUP CHILLED DISPLAY CASE

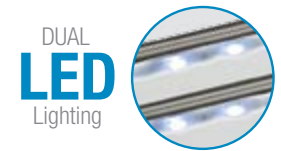
Entirely decorated in black

CURVED GLASS

Working Temperature **+1°/+5°**

Available accessories **82**

Technical specifications **10**



F BLACK

Model

- Dual LED lighting in the upper and lower areas.
- Methacrylate sliding doors.
- BLACK curved glass decoration.
- SILVER aluminium framing.
- Tempered safety glass.

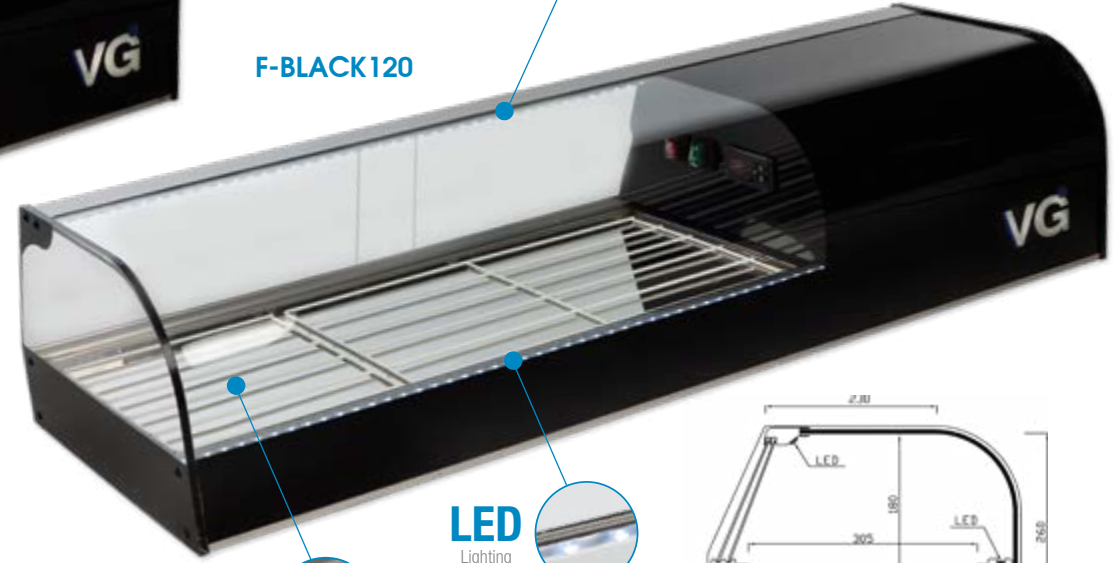
F-BLACK4



INCLUDED Trays



F-BLACK120



INCLUDED Grills

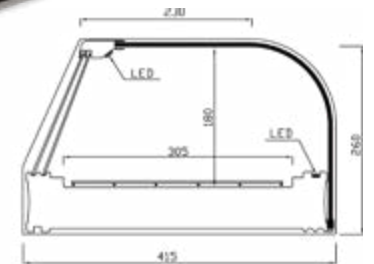
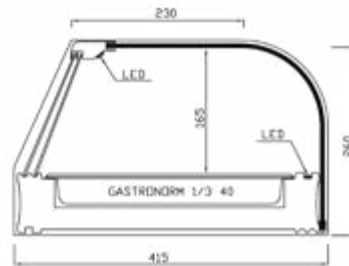


Special Manufacture **CUSTOMISED**

Request a quote

SUPPLEMENTARY TRAY
MELAMINE 1/3 h40
4 units. 6 units. 8 units.

48 € 72 € 96 €



Model	Length	Depth	Height	Trays (included)	RETAIL PRICE
F-BLACK4	1216	415	260	4	1.225 €
F-BLACK6	1566	415	260	6	1.300 €
F-BLACK8	1926	415	260	8	1.450 €

Model	Length	Depth	Height	Grills (included)	RETAIL PRICE
F-BLACK 120	1216	415	260	1.5	1.205 €
F-BLACK 150	1566	415	260	2	1.280 €
F-BLACK 200	1926	415	260	3	1.430 €

Working Temperature  +1°/+5°

Available accessories  Page 82

Technical specifications  Page 10



BUILT-IN GROUP CHILLED DISPLAY CASE

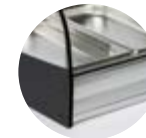


Counter bar of trays

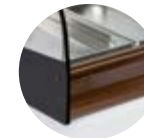
CTB Model

- Dual LED lighting.
- Methacrylate sliding doors.
- Rear mirror.
- Stainless steel lid for placing bottles, crockery, accessories etc.

SUPPLEMENTARY TRAY
MELAMINE 1/3 h40
4 units. 6 units. 8 units. 10 units.
48 € 72 € 96 € 120 €



SILVER



WALNUT



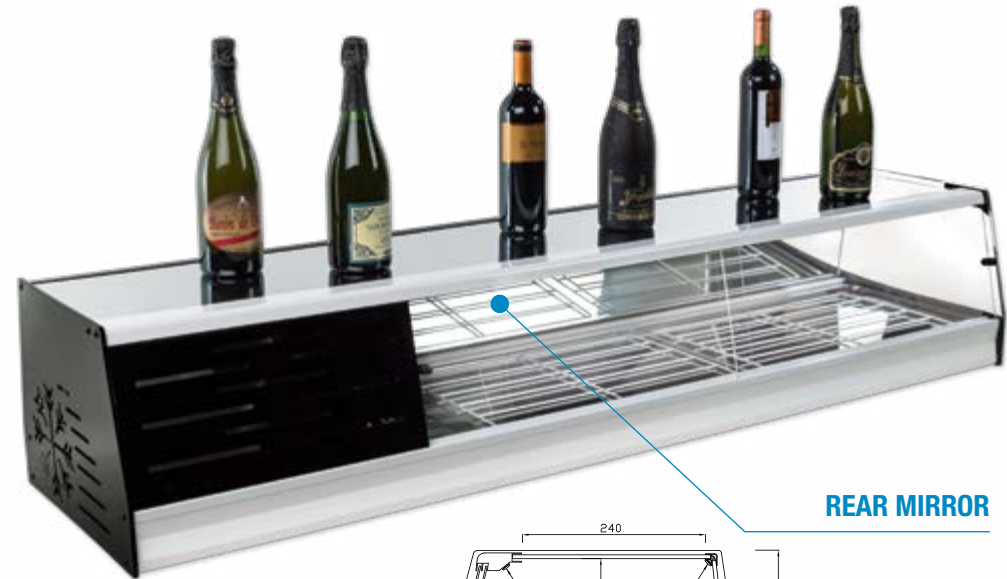
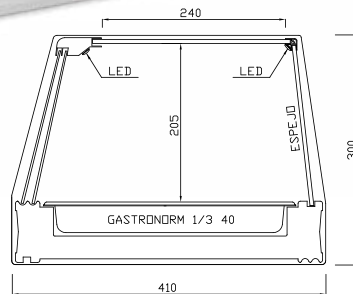
WHITE



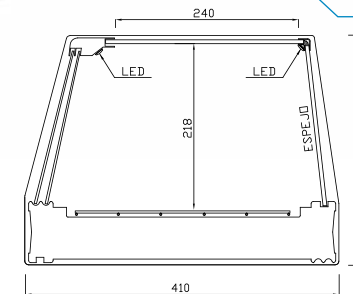
BLACK



CTB-6 SILVER



CTB-150 SILVER



Model	Length	Depth	Height	Trays (Included)	Silver/Walnut/White/Black
CTB-4	1216	410	300	4	1.225 €
CTB-6	1566	410	300	6	1.310 €
CTB-8	1926	410	300	8	1.450 €
CTB-10	2266	410	300	10	1.675 €

Model	Length	Depth	Height	Grills (Included)	Silver/Walnut/White/Black
CTB-120	1216	410	300	1.5	1.205 €
CTB-150	1566	410	300	2	1.290 €
CTB-200	1926	410	300	3	1.430 €
CTB-230	2266	410	300	4	1.655 €



BUILT-IN GROUP

BUILT-IN GROUP DOUBLE CHILLED DISPLAY CABINET

Two level cooling

STRAIGHT GLASS



Working Temperature



+1°/+5°

Technical specifications



Pag 10

DB Fi-C2

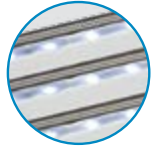
Model



- Double-height chilled display cabinet (TWO HEIGHT COOLING).
- LOWER AREA: 1/3 h40 Gastronorm trays.
- UPPER AREA: 1/3 h40 Gastronorm trays.
- Triple LED lighting.
- Sliding doors.
- BLACK framing.

DB-Fi4C2

Triple LED Lighting



Special Manufacture

CUSTOMISED

Request a quote

Trays INCLUDED

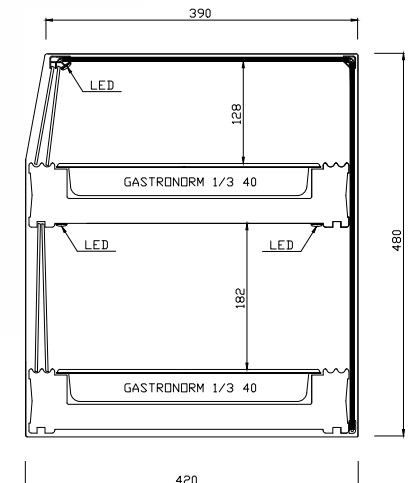


SUPPLEMENTARY TRAY

MELAMINE 1/3 h40

6 units. 8 units. 10 units.

72 € 96 € 120 €



Model	Length	Depth	Height	Trays (lower area)	Trays (upper area)	RETAIL PRICE
DB-Fi4C2	1216	420	480	4	6	2.030 €
DB-Fi6C2	1566	420	480	6	8	2.110 €
DB-Fi8C2	1926	420	480	8	10	2.360 €
DB-Fi10C2	2266	420	480	10	12	2.720 €

STRAIGHT GLASS

Working Temperature $+1^{\circ}/+5^{\circ}$

Available accessories **Page 82**

DOUBLE DISPLAY CASES BUILT-IN GROUP DOUBLE CHILLED DISPLAY CABINET



Two level cooling

Triple **LED** Lighting



DB-Fi6

DB Fi Model

- Double-height chilled display cabinet (TWO HEIGHT COOLING).
- LOWER AREA: 1/3 h40 Gastronorm trays.
- UPPER AREA: Cold plate with grills included.
- Plates not included.
- Triple LED lighting.
- Sliding doors.
- BLACK framing.



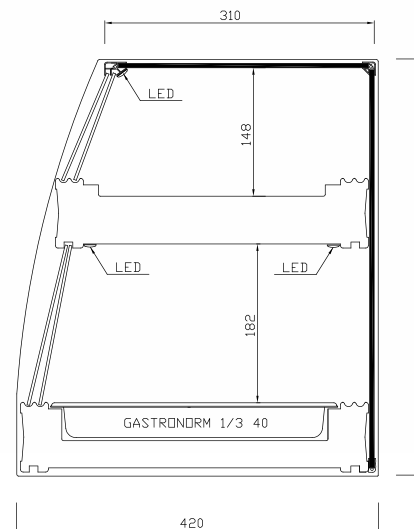
Special Manufacture **CUSTOMISED**

Request a quote

Trays **INCLUDED**



SUPPLEMENTARY TRAY
MELAMINE 1/3 h40
6 units. 8 units. 10 units.
72 € 96 € 120 €



Model	Length	Depth	Height	Trays (Included)	Grills (Included)	RETAIL PRICE
DB-Fi6	1566	420	480	6	3	2.050 €
DB-Fi8	1926	420	480	8	4	2.295 €
DB-Fi10	2266	420	480	10	5	2.640 €



REMOTE GROUP





REMOTE GROUP
CHILLED DISPLAY CASE



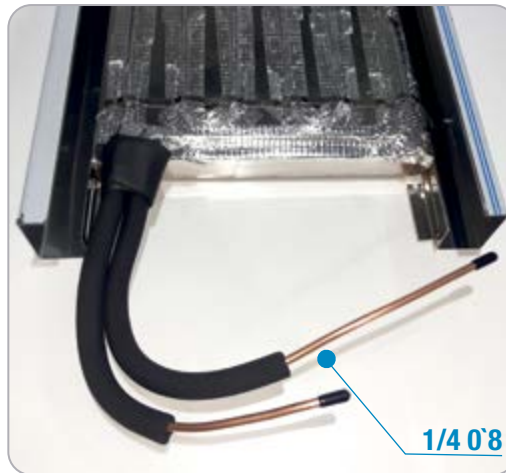
Embraco

- HIGH TEMPERATURE Airtight Compressor
- Single phase 220V / 240V 50hz
- Performance 217W to - 10°C.
- C / N 1/8.
- Consumption 209 W.
- Working temperature + 1°C / + 5°C to 25°C Air temperature.
- R-290 refrigerant gas.



AKO

- Temperature control via digital electronic thermostat with constant reading and defrosting option.



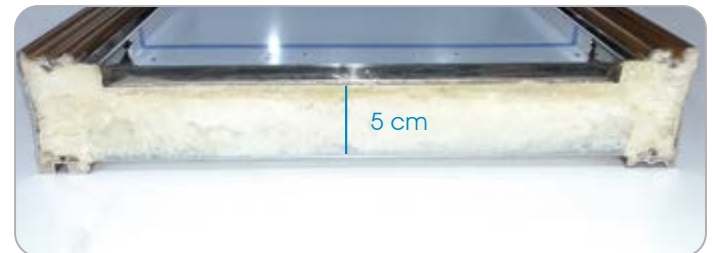
- Interior copper evaporator 1/4 0.8 mm thick.
- Fastening to the base with mesh tape and stainless steel sheet spot welded strips.



- 1 mm thick Steel AISI 304 stainless steel interior display case tray.



- Sanitary profile for a proper cleaning of the sliding guides.



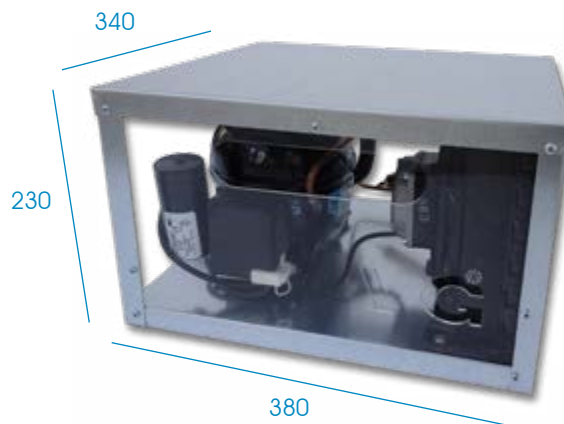
- 5 cm CFS-free polyurethane injected display case interior

MODELS WITH REMOTE GROUP

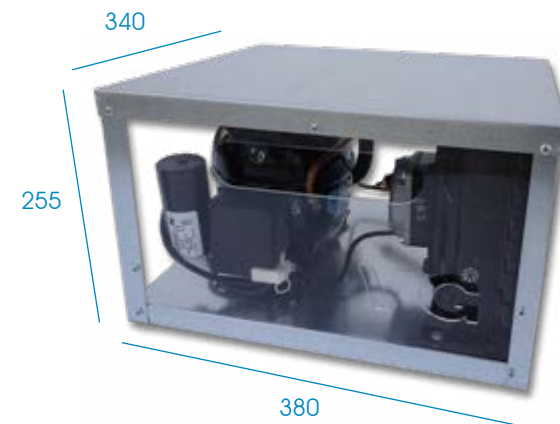
Remote condensing unit protected with galvanised steel sheet and lateral methacrylate panels for correct visualisation and protection of the components, Completely connected to the display cabinet by means of a 2.00 metre tube with Gas R-290 load included.



- Luvu STVF47 Condenser and Compressor
Embraco EMT 6144U GR1



- Luvu STVF67 Condenser and Compressor
Embraco EMT 6165U GR2



ADDITIONAL METRE SUPPLEMENT: 40€/linear metre



Choose at no cost the pipe output side and motor according to server, left or right

REMOTE GROUP CHILLED DISPLAY CASE



Page 44-46 **MAR-150**

Curved Glass 180 Height



Page 45-49 **MAR-F6R MAR-RCT**

Glass Straight Height 180



Page 50 **FR-6**

Curved Glass



Page 51 **FR-120R WALNUT**

Glass Straight Height 250



Page 52 **FR-6E**

Curved glass with shelf



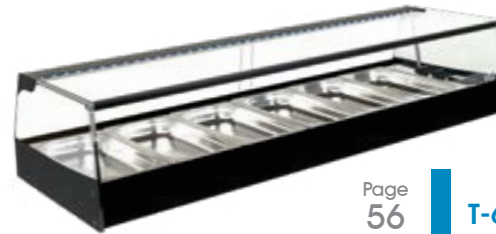
Page 53 **FR-120ER**

Straight glass with shelf



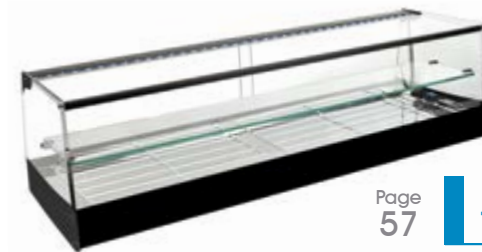
Page 54-55 **20R-F200GR**

20° Radius Curved Glass



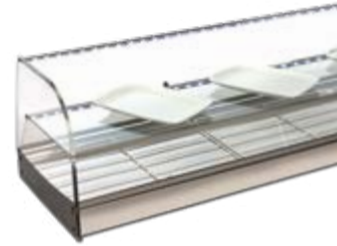
Page 56 **T-6**

Straight Glass to bar level with shelf



Page 57 **T-120E**

Straight Glass to bar level with shelf



6

6

6



Page 58

MAR-150ET

Curved glass with open shelf



Page 65

VPI-150i

Tapas display case



Page 75-75

PF-120

Open Case



Page 59

MAR-F8ETR

Straight glass with open shelf



Page 66-68

SHS-150GR SU-6

Sushi Display Case

NEW

NEW



Page 72,76

MIX-200 MIX-2F6

Mixed CHILLED+HEATED



Page 60-61

MFR-6

Stainless Steel



Page 69

SHS-6EGR

Sushi Display Case with shelf



Page 77

PZ6

Ingredients



Page 62-63

CST-120

Stainless Steel to be embedded



Page 70-71

TR-3 150 FR-120ER

Sushi Display Case with 2 shelves

NEW



Page 78-79

ING6 1/4CR

Ingredients



Page 64

PCH-150

Stainless steel for appetisers



Page 73

DB F

Chilled Double Glass



Page 80-81

FCL-11 3

Takeout



REMOTE GROUP

FLAT TRAY CHILLED DISPLAY CABINET



MAR Model

- Constructed entirely from AISI-304 stainless steel.
- Remote condensing unit protected with fully protected and connected to the display cabinet by means of a 2.00 metre tube with Gas R-290 load included.
- LED lighting.
- Folding methacrylate doors.
- Fixed curved glass (2 curved glass MAR240 - MAR300 models).

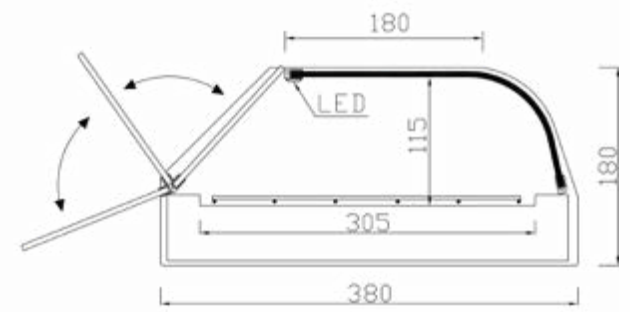
LED Lighting



MAR 150 STAINLESS STEEL



Grills INCLUDED

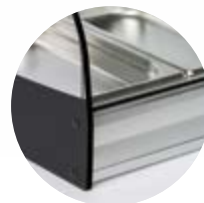


Special Manufacture **CUSTOMISED**

Request a quote

Model	Length	Depth	Height	Grills included	RETAIL PRICE
MAR-120	1216	380	180	2	1.320 €
MAR-150	1516	380	180	3	1.390 €
MAR-200	2016	380	180	4	1.520 €
MAR-240	2416	380	180	5	2.060 €
MAR-300	3016	380	180	6	2.580 €

Available colors:



SILVER



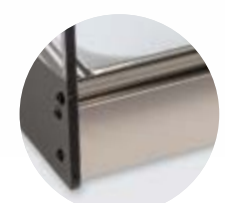
WALNUT



WHITE



BLACK



STAINLESS STEEL

STRAIGHT GLASS

Working Temperature +1°/+5°

Available accessories Page 82

Technical specifications Page 40

REMOTE GROUP

FLAT TRAY CHILLED DISPLAY CABINET



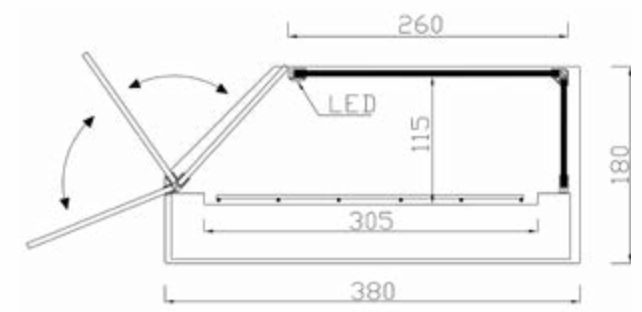
MAR R Model



LED Lighting

MAR 150 R STAINLESS STEEL

Grills INCLUDED



Special Manufacture **CUSTOMISED**
Request a quote

Model	Length	Depth	Height	Grills included	RETAIL PRICE
MAR-120 R	1216	380	180	2	1.320 €
MAR-150 R	1516	380	180	3	1.390 €
MAR-200 R	2016	380	180	4	1.520 €
MAR-240 R	2416	380	180	5	2.060 €
MAR-300 R	3016	380	180	6	2.580 €

Available colors:



SILVER



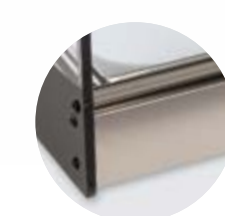
WALNUT



WHITE



BLACK



STAINLESS STEEL



REMOTE GROUP

CHILLED TRAYS DISPLAY CABINET

CURVED GLASS



Working Temperature



+1°/+5°

Technical specifications



Page 40

MAR F Model

- Constructed entirely from AISI-304 stainless steel.
- 1/3 h40 Gastronorm trays included (depending on model)
- Remote condensing unit protected with fully protected and connected to the display cabinet by means of a 2.00 metre tube with Gas R-290 load included.
- LED lighting.
- Folding methacrylate doors.
- Fixed curved glass (2 curved glass MAR240 - MAR300 models).

Special Manufacture
CUSTOMISED

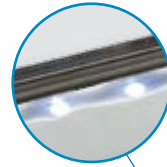
Request a quote

SUPPLEMENTARY TRAY
MELAMINE 1/3 h40

6 units. 8 units. 10 units. 13 units. 16 und.
72 € 96 € 120 € 156 € 192 €



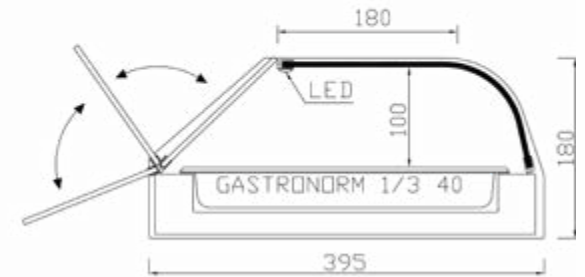
LED
Lighting



MAR F6
STAINLESS STEEL

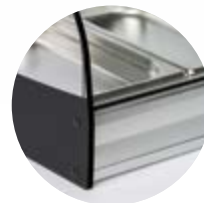


Trays
INCLUDED



Available colors:

Model	Length	Depth	Height	Trays included	RETAIL PRICE
MAR-F6	1156	395	180	6	1.370 €
MAR-F8	1516	395	180	8	1.425 €
MAR-F10	1866	395	180	10	1.565 €
MAR-F13	2416	395	180	13	2.090 €
MAR-F16	3016	395	180	16	2.585 €



SILVER



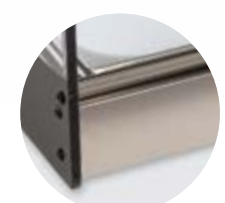
WALNUT



WHITE



BLACK



STAINLESS STEEL

STRAIGHT
GLASS



Working
Temperature



+1°/+5°

Available
accessories



Page
40

REMOTE GROUP CHILLED TRAYS DISPLAY CABINET

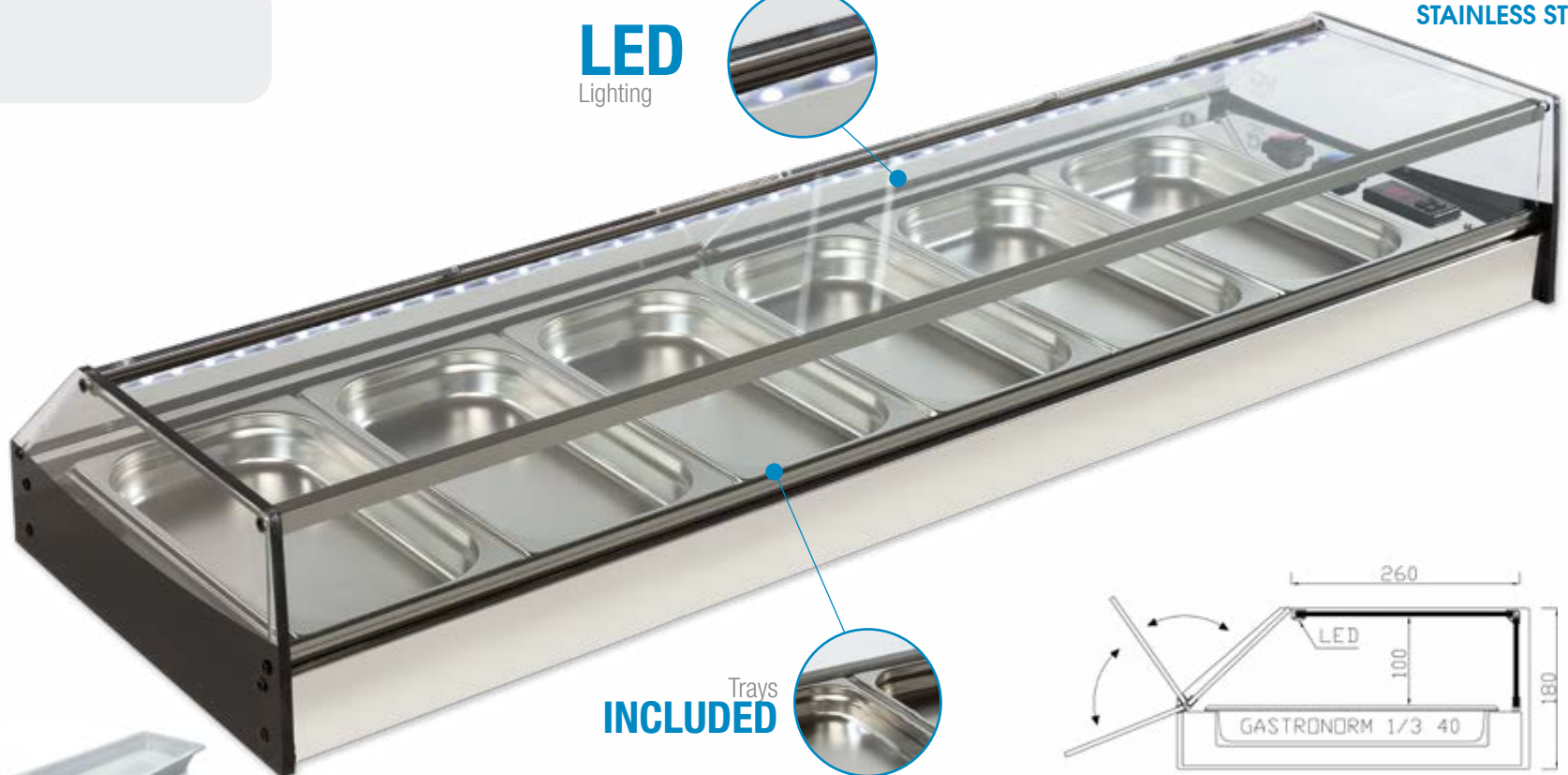


MAR FR

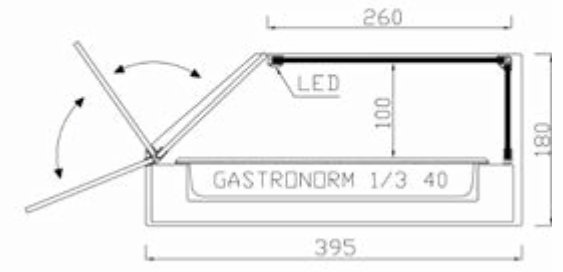
Model

MAR F6 R
STAINLESS STEEL

LED
Lighting



Trays
INCLUDED



Special Manufacture
CUSTOMISED

Request a quote

SUPPLEMENTARY TRA

YMELAMINE 1/3 h40

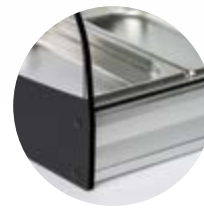
6 units. 8 units. 10 units. 13 units. 16 und.

72 € 96 € 120 € 156 € 192 €



Available colors:

Model	Length	Depth	Height	Trays included	RETAIL PRICE
MAR-F6 R	1156	395	180	6	1.370 €
MAR-F8 R	1516	395	180	8	1.425 €
MAR-F10 R	1866	395	180	10	1.565 €
MAR-F13 R	2416	395	180	13	2.090 €
MAR-F16 R	3016	395	180	16	2.585 €



SILVER



WALNUT



WHITE



BLACK



STAINLESS STEEL



REMOTE GROUP

CHILLED DISPLAY CASE WITH TRAYS

Front glass to bar level

MAR-RCT Model



- Front glass to bar level.
Black glass decoration.
- Black aluminium framing.
Dual LED lighting.
- Methacrylate sliding doors.
- Remote condensing unit fully protected and connected to the display case by means of a 2.00 meter tube with Gas R-290 load included.

LED
Lighting



MAR-RCT-6



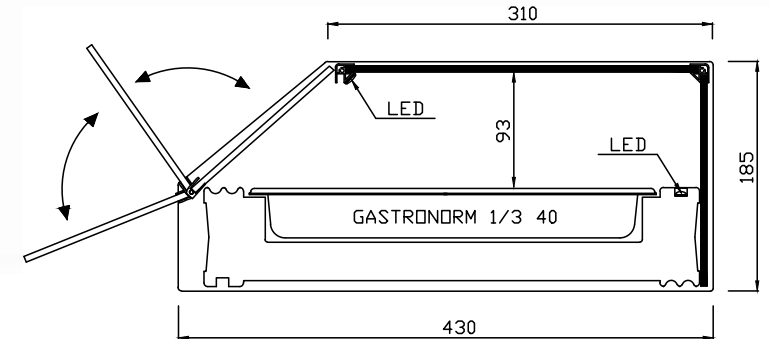
Trays
INCLUDED



Special Manufacture
CUSTOMISED

Request a quote

SUPPLEMENTARY TRAY
MELAMINE 1/3 h40
6 units. 8 units. 10 units.
72 € 96 € 120 €



Model	Length	Depth	Height	Trays included	RETAIL PRICE
MAR-RCT-6	1156	430	185	6	1.410 €
MAR-RCT-8	1516	430	185	8	1.465 €
MAR-RCT-10	1866	430	185	10	1.605 €

STRAIGHT
GLASS



Working
Temperature



+1°/+5°

Available
accessories



Page
82

Technical
specifications



Page
40

REMOTE GROUP

FLAT TRAY CHILLED DISPLAY CABINET



MAR-RCT 120



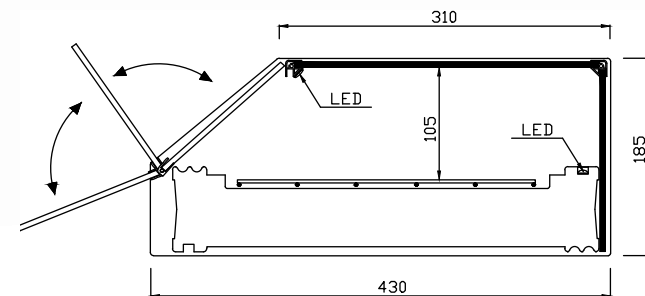
LED
Lighting



NEW



MAR-RCT 120
REAR AREA



Model	Length	Depth	Height	Grills included	RETAIL PRICE
MAR-RCT-120	1216	430	185	2	1.390 €
MAR-RCT-150	1516	430	185	3	1.430 €
MAR-RCT-200	2016	430	185	4	1.630 €



REMOTE GROUP

CHILLED DISPLAY CASE

Silver - Walnut - White - Black - Stainless steel

CURVED GLASS



Working Temperature



+1°/+5°

Available accessories



Page 82

Technical specifications

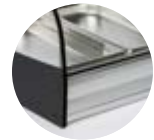


Page 40

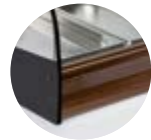
FR

Model

- 1/3 h40 Gastronorm trays or 450x280 grills. Included in the display cabinet
- Remote condensing unit protected fully protected and connected to the display cabinet by means of a 2.00 metre tube with Gas R-290 load included.
- LED lighting.
- Methacrylate sliding doors.



SILVER



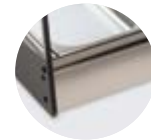
WALNUT



WHITE

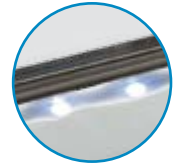


BLACK



STAINLESS STEEL

LED
Lighting



FR-6 SILVER



Trays
INCLUDED



FR-120 SILVER



Grills
INCLUDED



Special Manufacture
CUSTOMISED

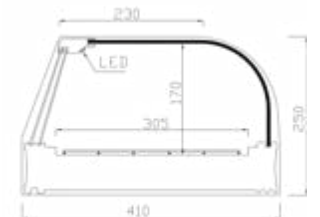
Request a quote

SUPPLEMENTARY TRAY

MELAMINE 1/3 h40

4 units. 6 units. 8 units. 10 units.

48 € 72 € 96 € 120 €



Model	Length	Depth	Height	Trays (Included)	Silver/Walnut/White/Black	Stainless steel
FR-4	806	410	250	4	1.155 €	1.295 €
FR-6	1156	410	250	6	1.225 €	1.375 €
FR-8	1516	410	250	8	1.370 €	1.535 €
FR-10	1866	410	250	10	1.590 €	1.780 €

Model	Length	Depth	Height	Grills (Included)	Silver/Walnut/White/Black	Stainless steel
FR-120	1216	410	250	2	1.190 €	1.335 €
FR-150	1516	410	250	3	1.350 €	1.515 €
FR-200	2016	410	250	4	1.600 €	1.790 €
FR-240	2416	410	250	5	1.900 €	2.130 €

STRAIGHT
GLASS



Working
Temperature



+1°/+5°

Available
accessories



Page
82

Technical
specifications



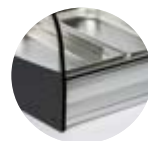
Page
40

REMOTE GROUP

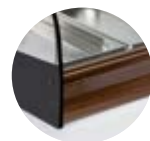
CHILLED DISPLAY CASE



Silver - Walnut - White - Black - Stainless steel



SILVER



WALNUT



WHITE



BLACK



STAINLESS STEEL

LED
Lighting



FR-R

Model

- 1/3 h40 Gastronorm trays or 450x280 grills. Included in the display cabinet
- Remote condensing unit protected fully protected and connected to the display cabinet by means of a 2.00 metre tube with Gas R-290 load included.
- LED lighting.
- Methacrylate sliding doors.



Trays
INCLUDED



FR-6R WALNUT



Grills
INCLUDED



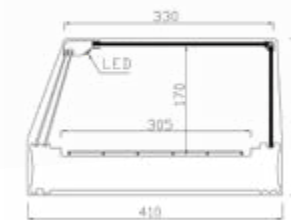
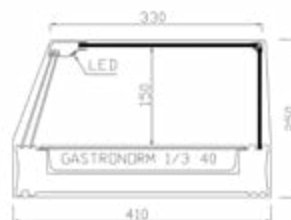
FR-120R WALNUT

SUPPLEMENTARY TRAY

MELAMINE 1/3 h40

4 units. 6 units. 8 units. 10 units.

48 € 72 € 96 € 120 €



Model	Length	Depth	Height	Trays (Included)	Silver/Walnut/White/Black	Stainless steel
FR-4R	806	410	250	4	1.155 €	1.295 €
FR-6R	1156	410	250	6	1.225 €	1.375 €
FR-8R	1516	410	250	8	1.370 €	1.535 €
FR-10R	1866	410	250	10	1.590 €	1.780 €

Model	Length	Depth	Height	Grills (Included)	Silver/Walnut/White/Black	Stainless steel
FR-120R	1216	410	250	2	1.190 €	1.335 €
FR-150R	1516	410	250	3	1.350 €	1.515 €
FR-200R	2016	410	250	4	1.600 €	1.790 €
FR-240R	2416	410	250	5	1.900 €	2.130 €



REMOTE GROUP CHILLED DISPLAY CASE

Intermediate shelf

CURVED
GLASS

STRAIGHT
GLASS

Working Temperature $+1^{\circ}/+5^{\circ}$

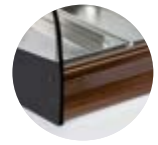
Available accessories

Page 82 | Technical specifications

Page 40

FR-E Model

- Remote condensing unit protected fully protected and connected to the display cabinet by means of a 2.00 metre tube with Gas R-290 load included.
- LED lighting.
- Methacrylate sliding doors.
- Intermediate shelf.



LED
Lighting



FR-6E SILVER

SILVER

WALNUT

WHITE

BLACK

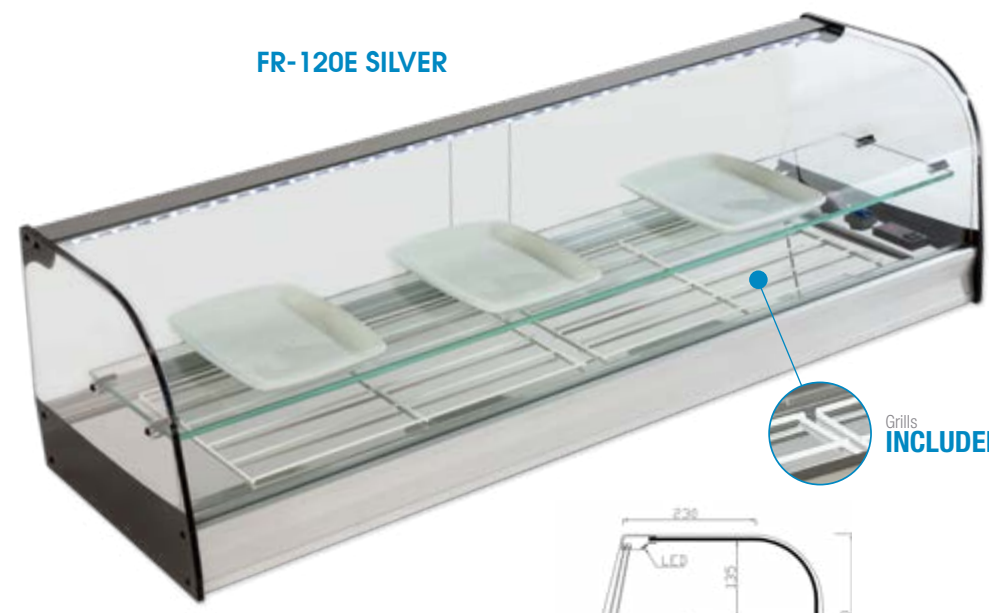
STAINLESS STEEL



Trays
INCLUDED



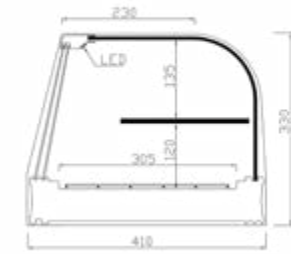
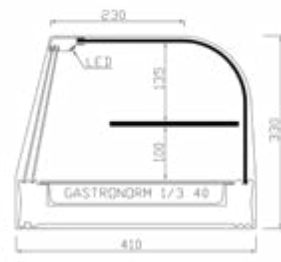
FR-120E SILVER



Grills
INCLUDED



SUPPLEMENTARY TRAY
MELAMINE 1/3 h40
4 units. 6 units. 8 units. 10 units.
48 € 72 € 96 € 120 €



Model	Length	Depth	Height	Trays (Included)	Silver/Walnut/White/Black	Stainless steel
FR-4E	806	410	330	4	1.325 €	1.485 €
FR-6E	1156	410	330	6	1.410 €	1.580 €
FR-8E	1516	410	330	8	1.575 €	1.770 €
FR-10E	1866	410	330	10	1.830 €	2.050 €

Model	Length	Depth	Height	Grills (Included)	Silver/Walnut/White/Black	Stainless steel
FR-120E	1216	410	330	2	1.370 €	1.535 €
FR-150E	1516	410	330	3	1.550 €	1.735 €
FR-200E	2016	410	330	4	1.840 €	2.060 €
FR-240E	2416	410	330	5	2.190 €	2.450 €

STRAIGHT
GLASS



Working
Temperature



+1°/+5°

Available
accessories



Page
82

Technical
specifications



Page
40

REMOTE GROUP

CHILLED DISPLAY CASE



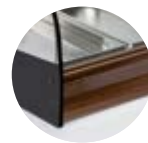
Intermediate shelf

FR-ER Model

- Remote condensing unit protected fully protected and connected to the display cabinet by means of a 2.00 metre tube with Gas R-290 load included.
- LED lighting.
- Methacrylate sliding doors.
- Intermediate shelf.



SILVER



WALNUT



WHITE



BLACK



STAINLESS STEEL

LED
Lighting



FR-6ER BLACK



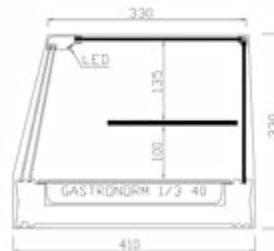
Trays
INCLUDED



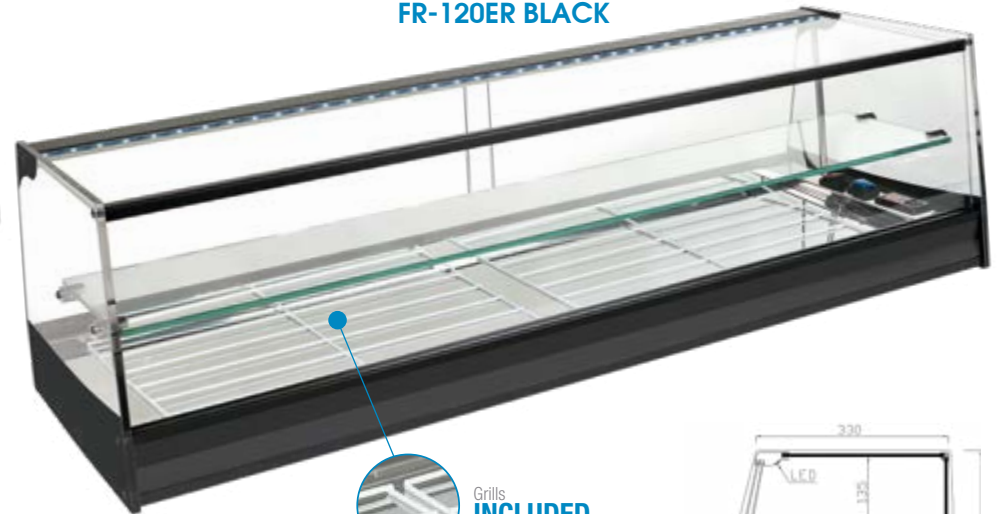
SUPPLEMENTARY TRAY
MELAMINE 1/3 h40

4 units. 6 units. 8 units. 10 units.

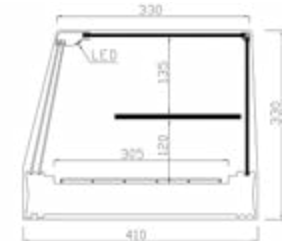
48 € 72 € 96 € 120 €



FR-120ER BLACK



Grills
INCLUDED



Model	Length	Depth	Height	Trays (Included)	Silver/Walnut/White/Black	Stainless steel
FR-4ER	806	410	330	4	1.325 €	1.485 €
FR-6ER	1156	410	330	6	1.410 €	1.580 €
FR-8ER	1516	410	330	8	1.575 €	1.770 €
FR-10ER	1866	410	330	10	1.830 €	2.050 €

Model	Length	Depth	Height	Grills (Included)	Silver/Walnut/White/Black	Stainless steel
FR-120ER	1216	410	330	2	1.370 €	1.535 €
FR-150ER	1516	410	330	3	1.550 €	1.735 €
FR-200ER	2016	410	330	4	1.840 €	2.060 €
FR-240ER	2416	410	330	5	2.190 €	2.450 €



REMOTE GROUP

CHILLED DISPLAY CASE

Silver - Walnut - White - Black

CURVED GLASS



Working Temperature



+1°/+5°

Available accessories



Pag 82

Technical specifications



Pag 40

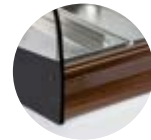
20-GR

Model

- Remote condensing unit protected fully protected and connected to the display cabinet by means of a 2.00 metre tube with Gas R-290 load included.
- LED lighting.
- Sliding methacrylate doors.
- Tempered Curved Glass 20° Radius.



SILVER



WALNUT



WHITE



BLACK

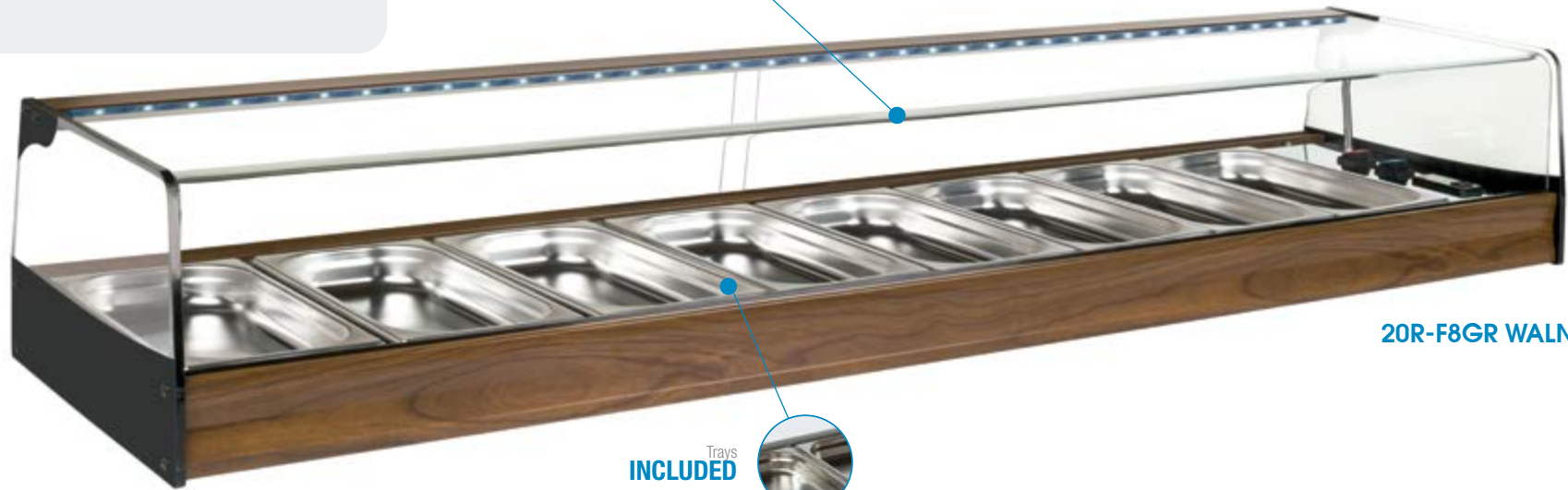
LED

Lighting



CURVED GLASS

20° RADIUS



20R-F8GR WALNUT

Trays INCLUDED

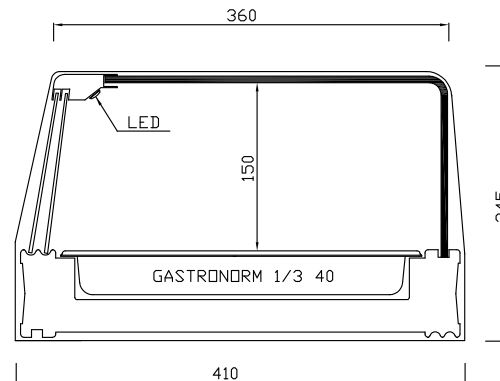


SUPPLEMENTARY TRAY

MELAMINE 1/3 h40

6 units. 7 units. 10 units.

72 € 96 € 120 €



CURVED GLASS 20° RADIUS

Model	Length	Depth	Height	Trays (Included)	Silver/Walnut/White/Black
20R-F6GR	1216	410	245	6	1.430 €
20R-F8GR	1566	410	245	8	1.515 €
20R-F10GR	1926	410	245	10	1.645 €

CURVED
GLASS



Working
Temperature



+1°/+5°

Available
accessories



Pag
82

Technical
specifications



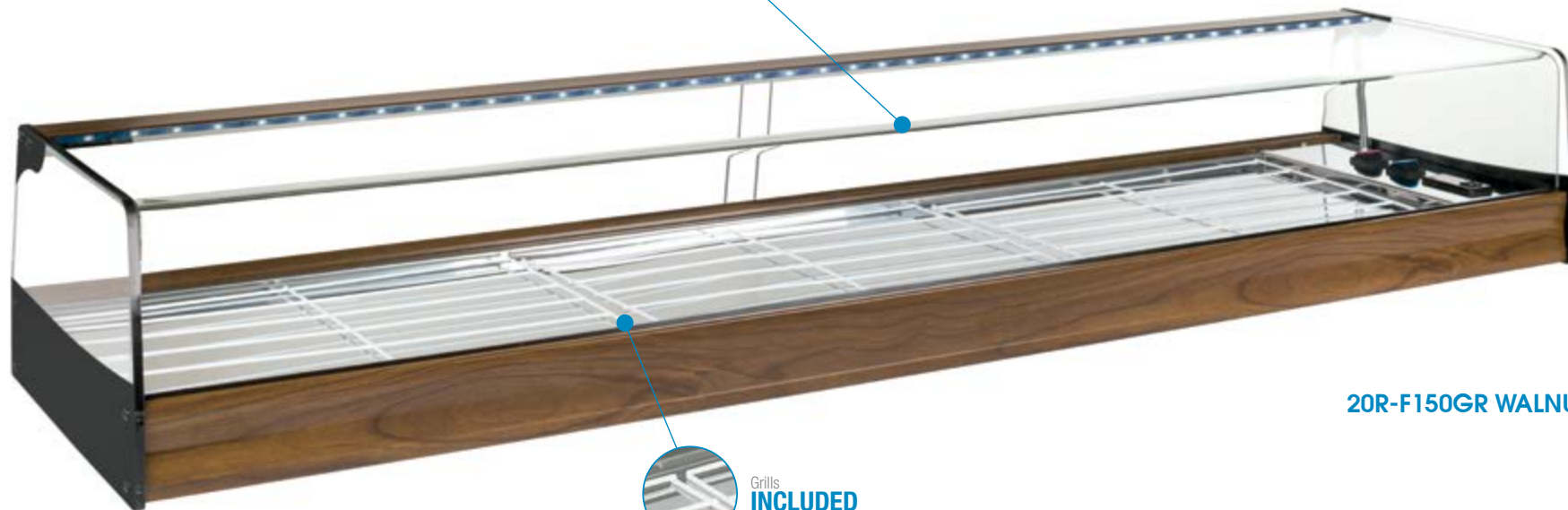
Pag
40

REMOTE GROUP CHILLED DISPLAY CASE



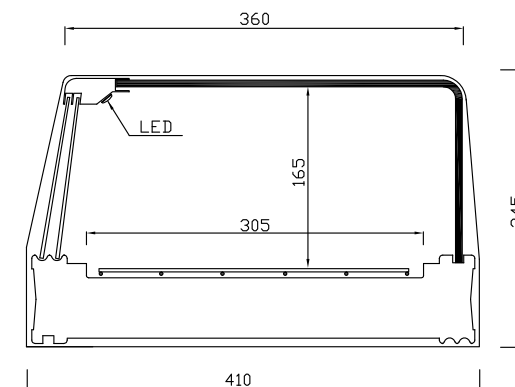
Cold plate

CURVED GLASS
20° RADIUS



Grills
INCLUDED

20R-F150GR WALNUT



Model Length Depth Height Grills Silver/Walnut/White/Black

20R-F120GR	1216	410	245	2	1.410 €
20R-F150GR	1566	410	245	3	1.495 €
20R-F200GR	1926	410	245	4	1.625 €



REMOTE GROUP CHILLED DISPLAY CASE

Front glass to bar level

STRAIGHT
GLASS

Working
Temperature +1°/+5°

Available
accessories Pag
82

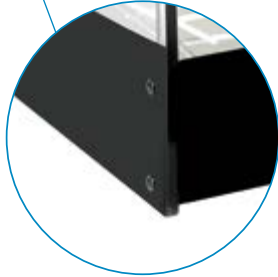
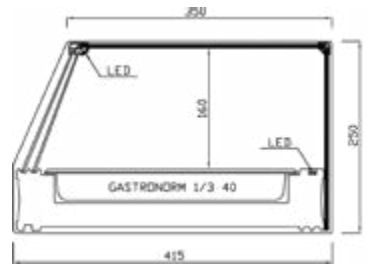
Technical
specifications Pag
40

T Model

- 1/3 h40 Gastronom trays or 450 x 280 Grills included in the display case.
- Remote condensing unit fully protected and connected to the display case by means of a 2.00 metre tube with Gas R-290 load included.
- Dual LED lighting.
- Sliding methacrylate doors.

Special Manufacture
CUSTOMISED

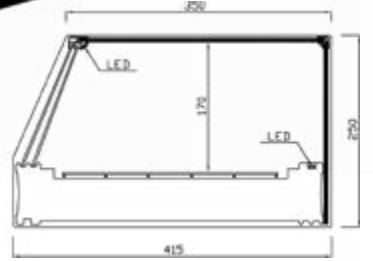
Request a quote



T-6



T-120



Model	Length	Depth	Height	Trays (Included)	RETAIL PRICE
T-4	806	415	250	4	1.135 €
T-6	1156	415	250	6	1.200 €
T-8	1516	415	250	8	1.350 €
T-10	1866	415	250	10	1.555 €

Model	Length	Depth	Height	Grills (Included)	RETAIL PRICE
T-120	1216	415	250	2	1.170 €
T-150	1516	415	250	3	1.320 €
T-200	2016	415	250	4	1.560 €

Model
T-E

T-6E

REMOTE GROUP CHILLED DISPLAY CASE



Intermediate shelf

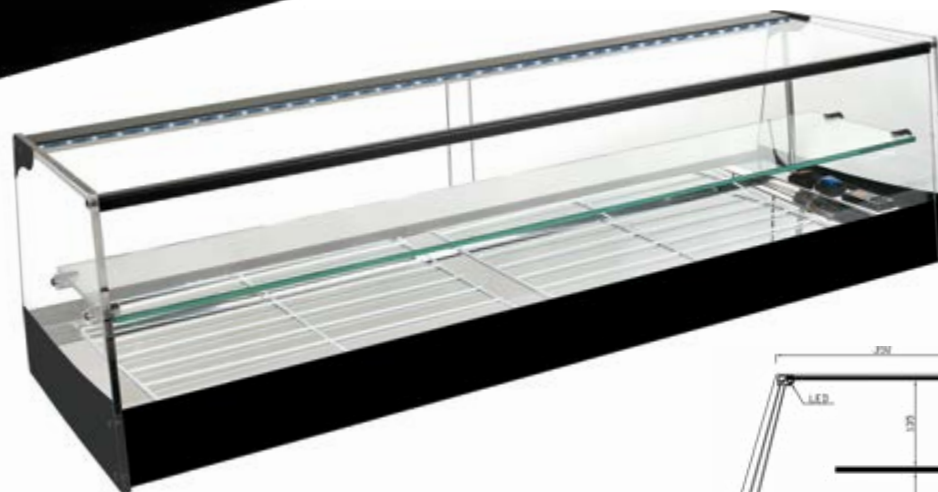


BLACK

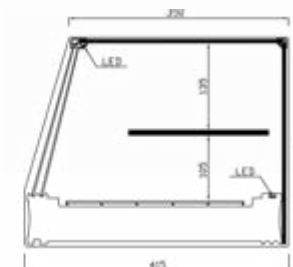
Dual
LED
Lighting



T-120E



SUPPLEMENTARY TRAY
MELAMINE 1/3 h40
4 units. 6 units. 8 units. 10 units.
48 € 72 € 96 € 120 €



Model	Length	Depth	Height	Trays (Included)	RETAIL PRICE
T-4E	806	415	330	4	1.300 €
T-6E	1156	415	330	6	1.385 €
T-8E	1516	415	330	8	1.535 €
T-10E	1866	415	330	10	1.845 €

Model	Length	Depth	Height	Grills (Included)	RETAIL PRICE
T-120E	1216	415	330	2	1.335 €
T-150E	1516	415	330	3	1.515 €
T-200E	2016	415	330	4	1.785 €



REMOTE GROUP

FLAT TRAY CHILLED DISPLAY CABINET

Intermediate shelf

Working Temperature



+1°/+5°

Available accessories



Page 82

Technical specifications



Page 40

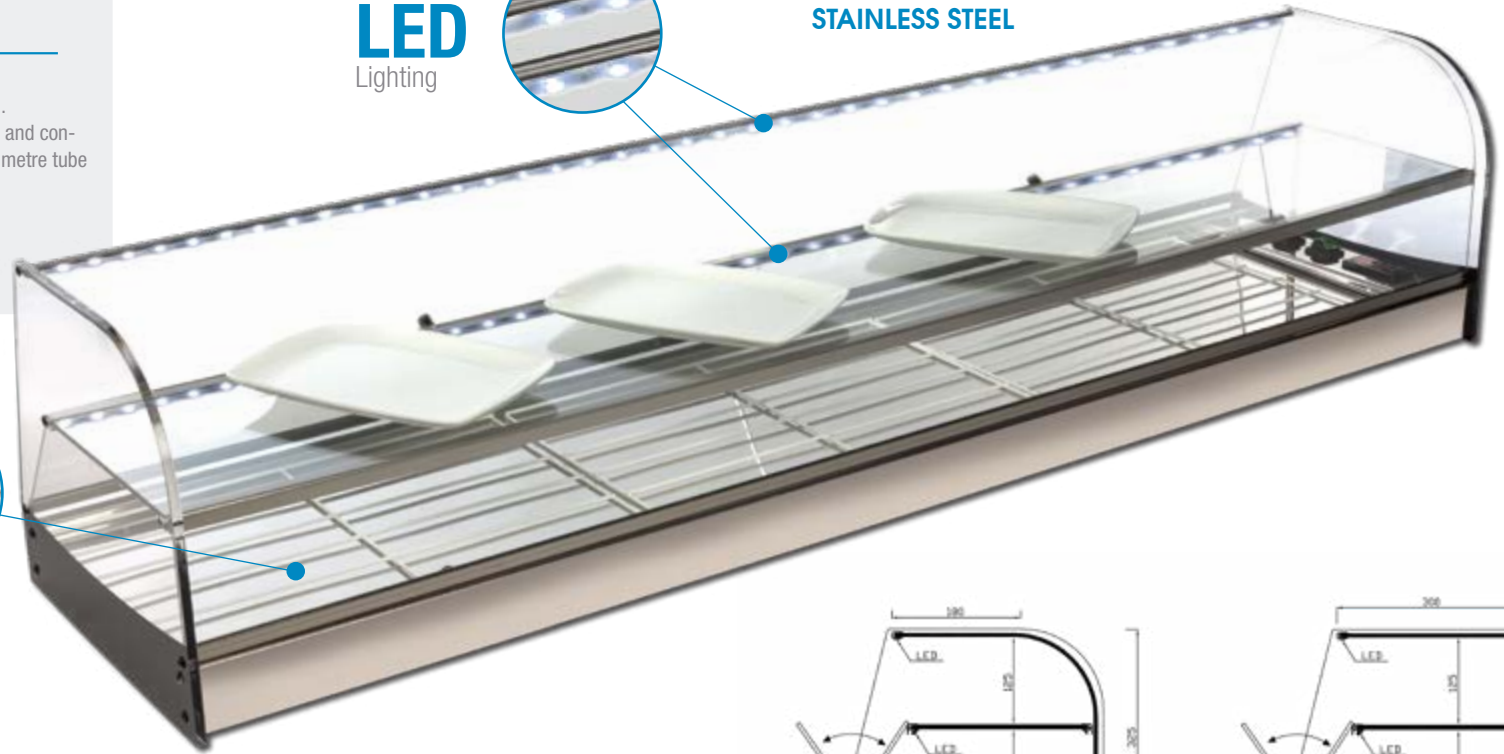
MAR ET Model

- Constructed entirely from AISI-304 stainless steel.
- Remote condensing unit protected fully protected and connected to the display cabinet by means of a 2.00 metre tube with Gas R-290 load included.
- Dual LED lighting.
- Methacrylate folding doors to Intermediate shelf.

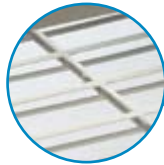
Dual
LED
Lighting



MAR 150 ET
STAINLESS STEEL

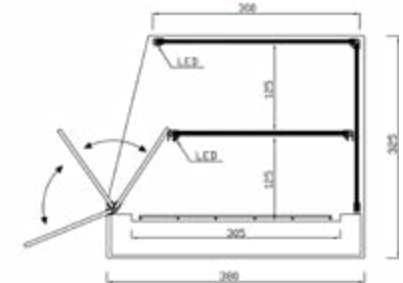
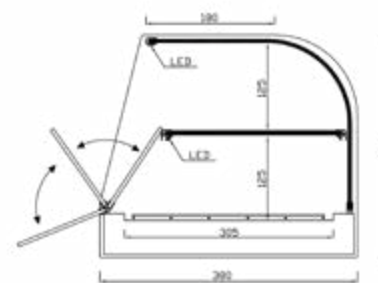


Grills
INCLUDED



Special Manufacture
CUSTOMISED

Request a quote



Model	Length	Depth	Height	Grills included	RETAIL PRICE
-------	--------	-------	--------	-----------------	--------------

Available colors:

MAR-120 ET	MAR-120 ETR	1216	380	325	2	1.445 €
MAR-150 ET	MAR-150 ETR	1516	380	325	3	1.520 €
MAR-200 ET	MAR-200 ETR	2016	380	325	4	1.680 €
MAR-240 ET	MAR-240 ETR	2416	380	325	5	2.255 €
MAR-300 ET	MAR-300 ETR	3016	380	325	6	2.830 €



SILVER



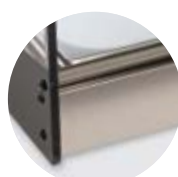
WALNUT



WHITE



BLACK

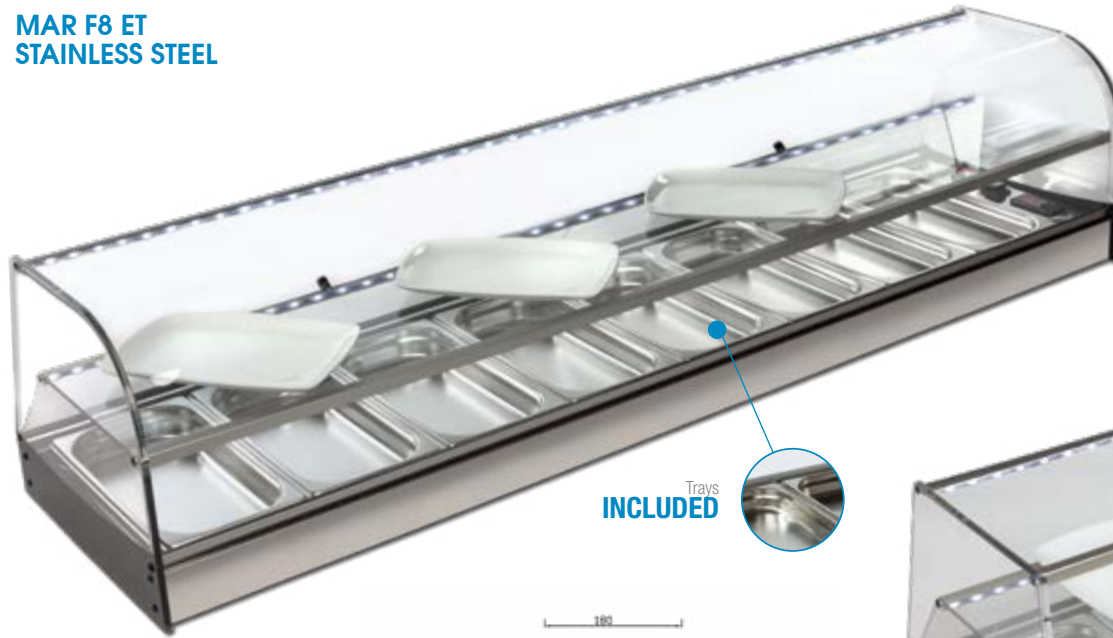


STAINLESS STEEL

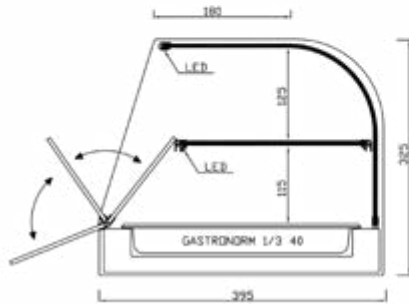
MAR F ET

Model

MAR F8 ET
STAINLESS STEEL



Trays
INCLUDED



Special Manufacture
CUSTOMISED
Request a quote

REMOTE GROUP CHILLED TRAYS DISPLAY CABINET



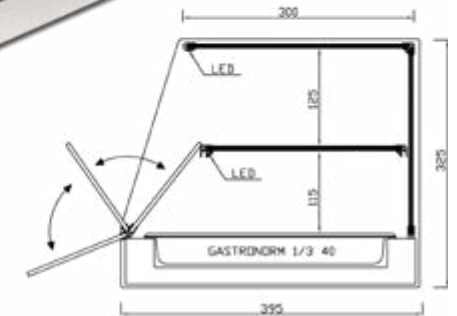
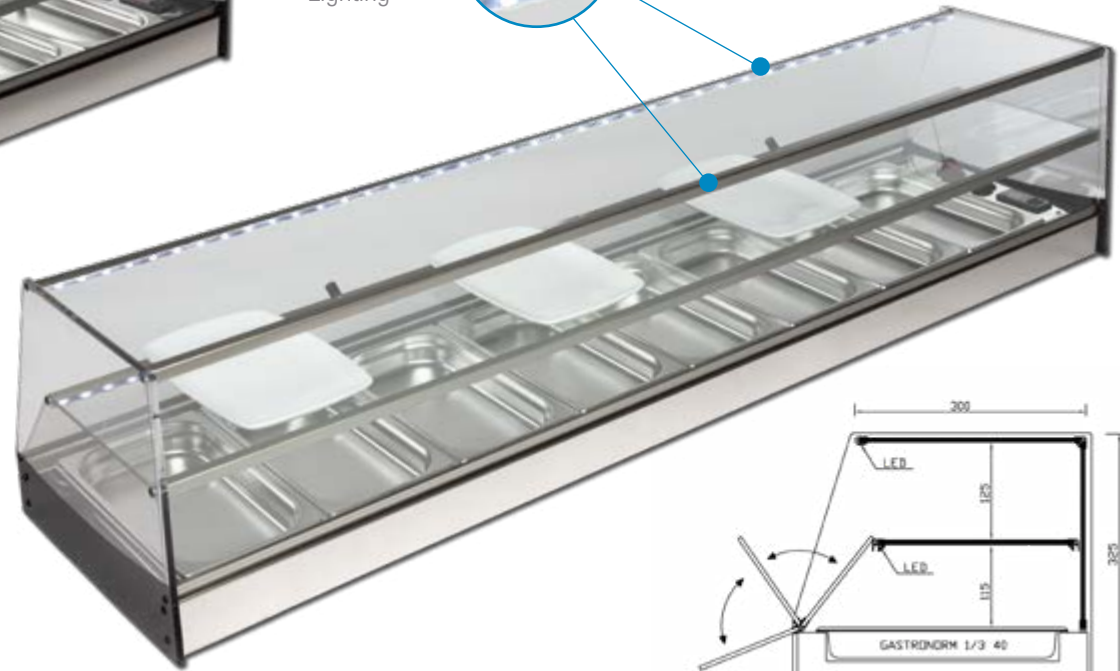
Intermediate shelf

SUPPLEMENTARY TRAY
MELAMINE 1/3 h40
6 units. 8 units. 10 units. 13 units.
72 € 96 € 120 € 156 €



Dual
LED
Lighting

MAR F8 ETR STAINLESS STEEL



Model	Model	Length	Depth	Height	Trays included	RETAIL PRICE
MAR-F6 ET	MAR-F6 ETR	1156	395	325	6	1.500 €
MAR-F8 ET	MAR-F8 ETR	1516	395	325	8	1.560 €
MAR-F10 ET	MAR-F10 ETR	1866	395	325	10	1.720 €
MAR-F13 ET	MAR-F13 ETR	2416	395	325	13	2.290 €

Available colors:



SILVER



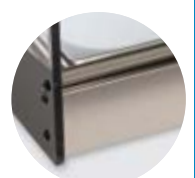
WALNUT



WHITE



BLACK



STAINLESS STEEL

REMOTE GROUP CHILLED DISPLAY CABINET READY TO BE EMBEDDED INTO BAR

Stainless Steel

MFR Model

- Constructed entirely from AISI-304 stainless steel with decorative framing.
- 1/3 h40 gastronorm trays or 450x280 grills included in the display cabinet
- LED lighting.
- Methacrylate sliding doors.
- Remote condensing unit protected fully protected and connected to the display cabinet by means of a 2.00 metre tube with Gas R-290 load included.



MFR-6

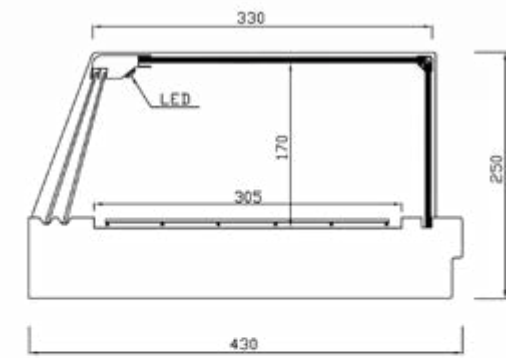
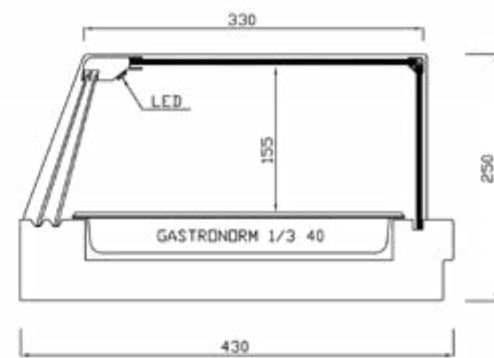


SUPPLEMENTARY TRAY
MELAMINE 1/3 h40
6 units. 8 units. 10 units. 14 units.
72 € 96 € 120 € 168 €



Model	Length	Depth	Height	Trays (Included)	RETAIL PRICE
MFR-6 MFR-6R	1230	430	250	6	1.990 €
MFR-8 MFR-8R	1590	430	250	8	2.115 €
MFR-10 MFR-10R	1940	430	250	10	2.295 €
MFR-14 MFR-14R	2640	430	250	14	3.120 €

Model	Length	Depth	Height	Grills (Included)	RETAIL PRICE
MFR-120 MFR-120R	1200	430	250	2	1.990 €
MFR-150 MFR-150R	1500	430	250	3	2.115 €
MFR-200 MFR-200R	2000	430	250	4	2.345 €
MFR-250 MFR-250R	2500	430	250	5	3.050 €



CHILLED DISPLAY CABINET READY TO BE EMBEDDED INTO BAR



Stainless Steel / Intermediate shelf

MFR E
Model



LED
Lighting

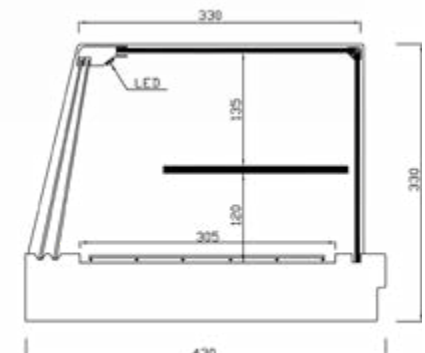
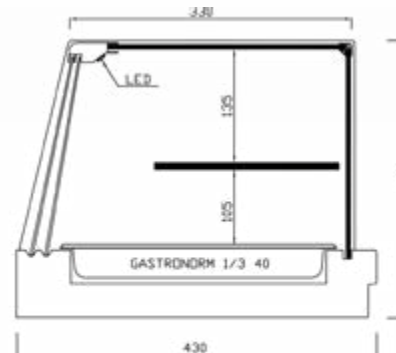
MFR-8E

Trays
INCLUDED

Special Manufacture
CUSTOMISED
Request a quote

Model	Length	Depth	Height	Trays (Included)	RETAIL PRICE	
MFR-6E	MFR-6ER	1230	430	250	6	2.295 €
MFR-8E	MFR-8ER	1590	430	250	8	2.430 €
MFR-10E	MFR-10ER	1940	430	250	10	2.640 €
MFR-14E	MFR-14ER	2640	430	250	14	3.620 €

Model	Length	Depth	Height	Grills (Included)	RETAIL PRICE	
MFR-120E	MFR-120ER	1200	430	250	2	2.295 €
MFR-150E	MFR-150ER	1500	430	250	3	2.430 €
MFR-200E	MFR-200ER	2000	430	250	4	2.640 €
MFR-250E	MFR-250ER	2500	430	250	5	3.500 €



Stainless Steel

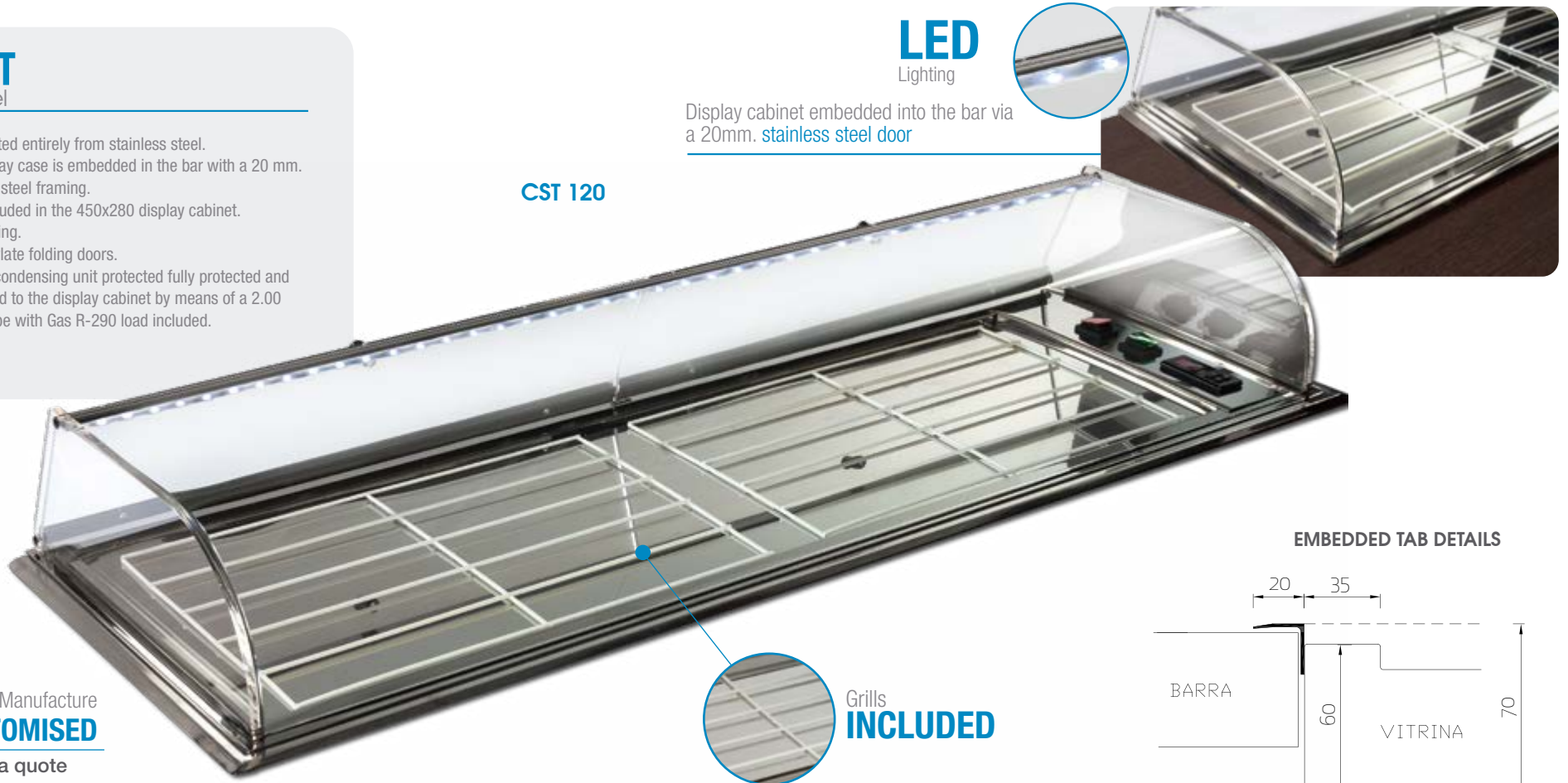
CST
Model

- Constructed entirely from stainless steel.
- The display case is embedded in the bar with a 20 mm. stainless steel framing.
- Grills included in the 450x280 display cabinet.
- LED lighting.
- Methacrylate folding doors.
- Remote condensing unit protected fully protected and connected to the display cabinet by means of a 2.00 metre tube with Gas R-290 load included.

CST 120

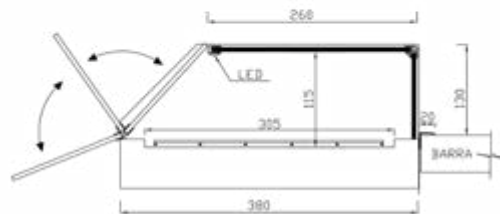
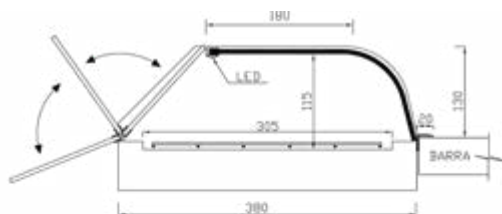
LED
Lighting

Display cabinet embedded into the bar via a 20mm. stainless steel door



Special Manufacture
CUSTOMISED

Request a quote



Model	Length	Depth	Height	Trays included	RETAIL PRICE
CST-120	1220	380	130	2	1.710 €
CST-150	1520	380	130	3	1.785 €
CST-200	2020	380	130	4	1.965 €
CST-240	2420	380	130	5	2.660 €
CST-300	3020	380	130	6	3.330 €

CST F

Model

- Constructed entirely from stainless steel.
- The display case is embedded in the bar via a 20 mm. stainless steel framing.
- 1/3 h40 Gastonorm Tray included depending on model.
- LED lighting.
- Methacrylate folding doors.

REMOTE GROUP

CHILLED TRAYS DISPLAY CABINET READY TO BE EMBEDDED INTO BAR



Stainless Steel

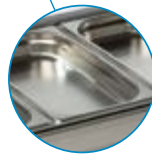
CST F6

SUPPLEMENTARY TRAY
MELAMINE 1/3 h40
8 units. 8 units. 10 units. 13 units.
72 € 96 € 120 € 156 €



CST F6R

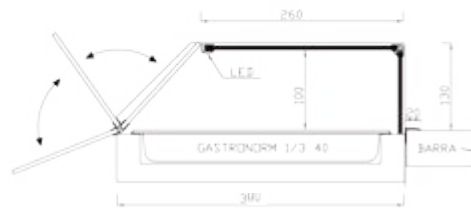
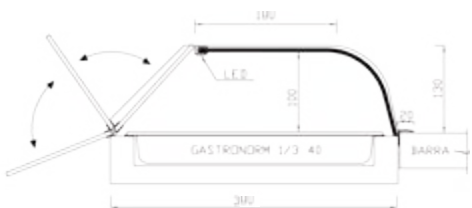
Trays
INCLUDED



Trays
INCLUDED



LED
Lighting



Model	Length	Depth	Height	Trays included	RETAIL PRICE	
CST-F6	CST-F6 R	1170	380	130	6	1.755 €
CST-F8	CST-F8 R	1520	380	130	8	1.845 €
CST-F10	CST-F10 R	1870	380	130	10	2.020 €
CST-F13	CST-F13 R	2420	380	130	13	2.690 €

REMOTE GROUP

FLAT TRAY CHILLED DISPLAY CABINET WITH DOORS ON BOTH SIDES

Stainless Steel / Ideal for appetisers

STRAIGHT
GLASS



Working
Temperature



+1°/+5°

Available
accessories



Page
82

Technical
specifications



Page
40

PCH Model

- Constructed entirely from AISI-304 stainless steel.
- Remote condensing unit protected fully protected and connected to the display cabinet by means of a 2.00 metre tube with Gas R-290load included.
- Dual LED lighting.
- Methacrylate folding doors on both sides.
- Display cabinet accessories not included.

Dual
LED
Lighting



PCH 150

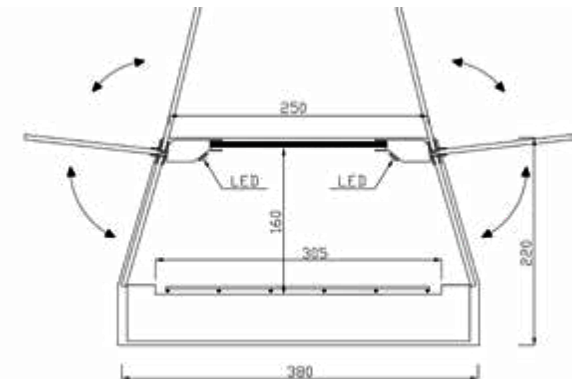


Special Manufacture
CUSTOMISED

Request a quote

Grills
INCLUDED

FOLDING DOORS



Model	Length	Depth	Height	Grills included	RETAIL PRICE
PCH-120	1216	380	220	2	1.385 €
PCH-150	1516	380	220	3	1.450 €
PCH-200	2016	380	220	4	1.595 €
PCH-250	2516	380	220	5	2.170 €
PCH-300	3016	380	220	6	2.700 €

Working Temperature  +1°/+5°

Available accessories  Page 82

Technical specifications  Page 40

REMOTE GROUP / BUILT-IN GROUP

FLAT TRAY CHILLED DISPLAY CABINET WITH DOORS ON BOTH SIDES



Silver - Walnut - White - Black / Ideal for Appetisers

VPI Model

- SILVER - WALNUT - WHITE - BLACK aluminium framing.
- Grills included in the 450x280 display cabinet.
- Display cabinet accessories not included.
- Constructed entirely from AISI-304 stainless steel.
- Remote condensing unit protected fully protected and connected to the display cabinet by means of a 2.00 metre tube with Gas R-290 load included.
- Dual LED lighting.
- Methacrylate sliding doors on both sides.

Dual **LED** Lighting

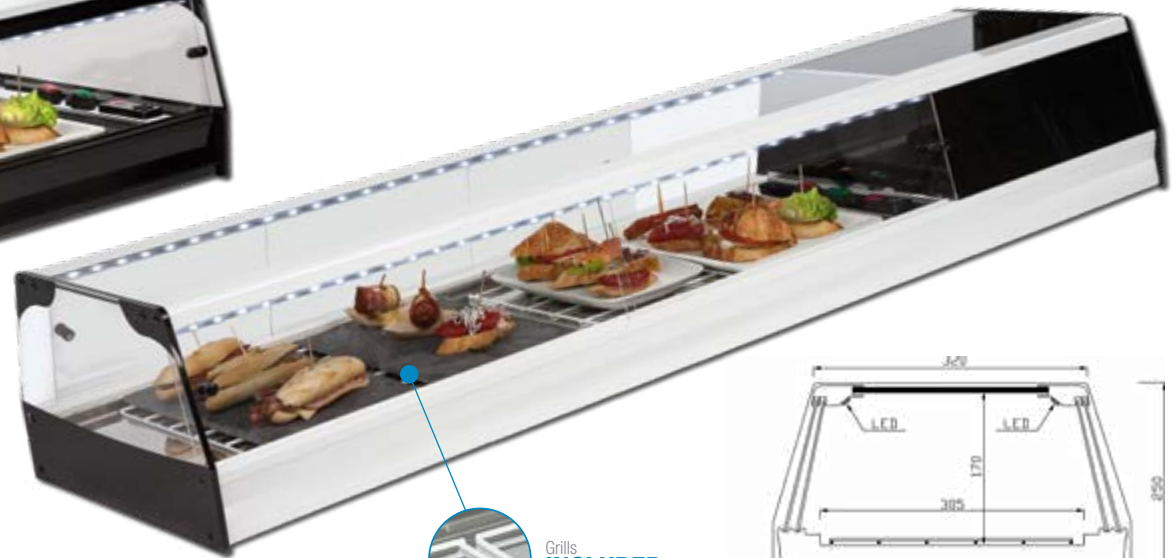


VPI-120 BLACK

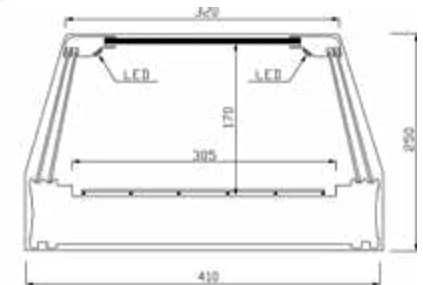


Grills **INCLUDED**

VPI-150i WHITE



Grills **INCLUDED**



Model	Length	Depth	Height	Grills included	RETAIL PRICE
VPI-120	1216	410	250	2	1.190 €
VPI-150	1516	410	250	3	1.250 €
VPI-200	2016	410	250	4	1.380 €
VPI-250	2516	410	250	5	1.865 €

Model	Length	Depth	Height	Grills included	RETAIL PRICE
VPI-120i	1216	410	250	1.5	1.150 €
VPI-150i	1516	410	250	2	1.225 €
VPI-200i	2016	410	250	3	1.370 €
VPI-250i	2516	410	250	4	1.700 €



REMOTE GROUP

CHILLED DISPLAY CASE SUSHI OF TRAYS

Cold Plate and Upper Evaporator Cooling

STRAIGHT
GLASS



Working
Temperature



+1°/+5°

Available
accessories



Pag
82

Technical
specifications



Pag
40

SU-GR Model

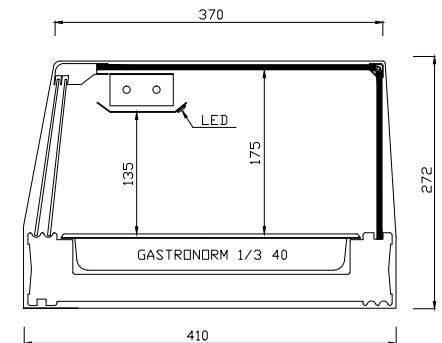


- COLD PLATE AND UPPER EVAPORATOR STATIC COOLING
- Upper Evaporator drain tray.
- Drain hose in the server area.
- BLACK framing and glass decoration.
- Remote condensing unit protected and connected to the display cabinet with Gas R-290 load included.
- LED lighting.
- Methacrylate sliding doors.

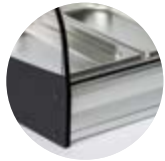


Model	Length	Depth	Height	Trays	Silver/Walnut/White/Black
SU-6GR	1156	410	272	6	1.445 €
SU-8GR	1516	410	272	8	1.480 €
SU-10GR	1866	410	272	10	1.615 €

SUPPLEMENTARY TRAY
MELAMINE 1/3 h40
6 units. 8 units. 10 units.
72 € 96 € 120 €



Available colors:



SILVER



WALNUT



WHITE



BLACK

REMOTE GROUP FLAT TRAY SUSHI CHILLED DISPLAY CABINET



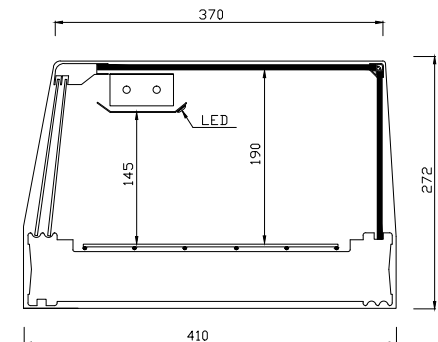
SU-150GR



Grills
INCLUDED

UPPER EVAPORATOR

DRAIN TRAY



Model	Length	Depth	Height	Grills	Silver/Walnut/White/Black
SU-120GR	1216	410	272	2	1.425 €
SU-150GR	1516	410	272	3	1.460 €
SU-200GR	1926	410	272	4	1.640 €



REMOTE GROUP CHILLED SUSHI DISPLAY CASE

Cold Plate and Upper Evaporator Cooling

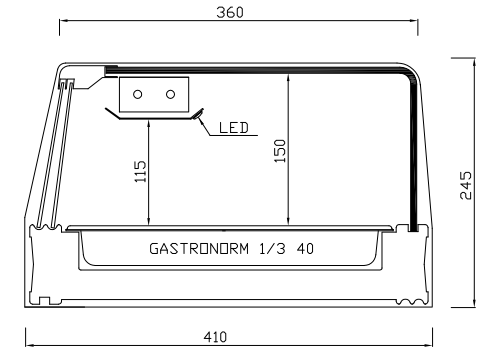
SHS Model

- COLD PLATE AND UPPER EVAPORATOR STATIC COOLING
- Upper Evaporator drain tray.
- Drain hose in the server area.
- BLACK framing and glass decoration.
- Tempered Curved Glass 20° Radius.
- Remote condensing unit protected and connected to the display cabinet with Gas R-290 load included.
- LED lighting.
- Methacrylate sliding doors.



CURVED GLASS 20° RADIUS
SHS-8GR

SUPPLEMENTARY TRAY
MELAMINE 1/3 h40
6 units. 8 units. 10 units.
72 € 96 € 120 €



UPPER EVAPORATOR

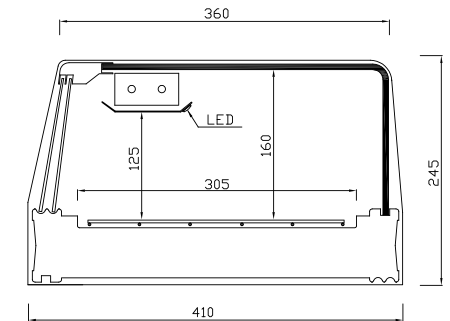


INCLUDED Trays



SHS-150GR

LED
Lighting



INCLUDED Grills



Model	Length	Depth	Height	Trays	RETAIL PRICE
SHS-6GR	1216	410	245	6	1.690 €
SHS-8GR	1566	410	245	8	1.770 €
SHS-10GR	1926	410	245	10	1.960 €

Model	Length	Depth	Height	Grills	RETAIL PRICE
SHS-120GR	1216	410	245	2	1.670 €
SHS-150GR	1566	410	245	3	1.750 €
SHS-200GR	1926	410	245	4	1.940 €

STRAIGHT
GLASS

Working
Temperature $+1^{\circ}/+5^{\circ}$

Available
accessories

Page
82 Technical
specifications

Page
40

REMOTE GROUP

SUSHI CHILLED DISPLAY CASE



Intermediate shelf

SHS-6EGR



SHS-120EGR

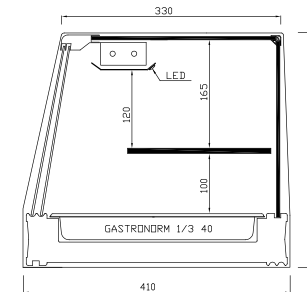


UPPER EVAPORATOR

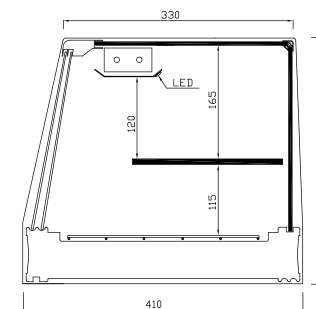
DRAIN TRAY



SUPPLEMENTARY TRAY
MELAMINE 1/3 h40
6 units. 8 units. 10 units.
72 € 96 € 120 €



Model	Length	Depth	Height	Trays	RETAIL PRICE
SHS-6EGR	1216	410	360	6	1.720 €
SHS-8EGR	1566	410	360	8	1.770 €
SHS-10EGR	1926	410	360	10	1.955 €



Model	Length	Depth	Height	Grills	RETAIL PRICE
SHS-120EGR	1216	410	360	2	1.700 €
SHS-150EGR	1566	410	360	3	1.750 €
SHS-200EGR	1926	410	360	4	1.935 €



REMOTE GROUP

FLAT TRAY CHILLED DISPLAY CABINET

Three levels

STRAIGHT GLASS



Working Temperature



+1°/+5°

Available accessories



Page 82

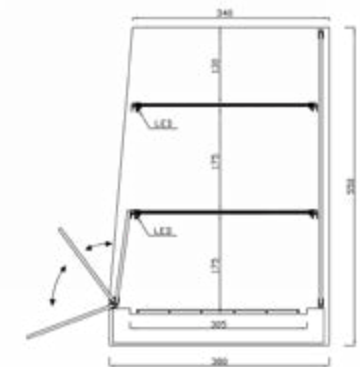
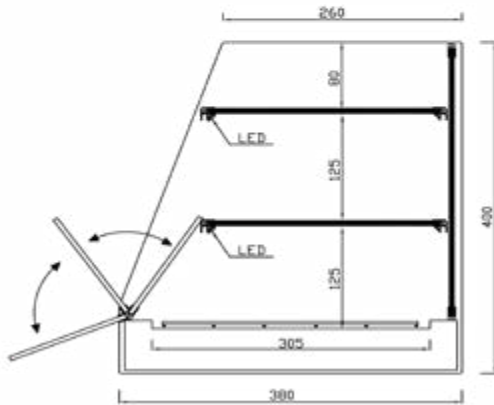
Technical specifications



Page 40

TR 3 Model

- Constructed entirely from AISI-304 stainless steel.
- Grills included in the 450x280 display cabinet.
- Remote condensing unit protected fully protected and connected to the display cabinet by means of a 2.00 metre tube with Gas R-290 load included.
- LED lighting on each shelf.
- Methacrylate folding doors to the first shelf.
- SILVER – WALNUT – WHITE – BLACK or STAINLESS STEEL aluminium framing.



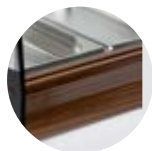
Model	Length	Depth	Height	Grills included	RETAIL PRICE
TR-3 120	1216	380	400	2	1.585 €
TR-3 150	1516	380	400	3	1.660 €
TR-3 200	2016	380	400	4	1.835 €
TR-3 250	2516	380	400	5	2.450 €
TR-3 300	3016	380	400	6	3.090 €

Model	Length	Depth	Height	Grills included	RETAIL PRICE
TR-3 120 MAX	1216	380	550	2	1.700 €
TR-3 150 MAX	1516	380	550	3	1.770 €
TR-3 200 MAX	2016	380	550	4	1.945 €
TR-3 250 MAX	2516	380	550	5	2.570 €
TR-3 300 MAX	3016	380	550	6	3.200 €

Available colors:



SILVER



WALNUT



WHITE



BLACK



STAINLESS
STEEL



Model
FR-ER2

- Trays gastronorm 1/3 h40 o Grills 450x280 included in the display case.
- Remote condensing unit protected and connected to the display cabinet with Gas R-290 load included.
- LED lighting.
- Methacrylate sliding doors.

Special Manufacture
CUSTOMISED
Request a quote

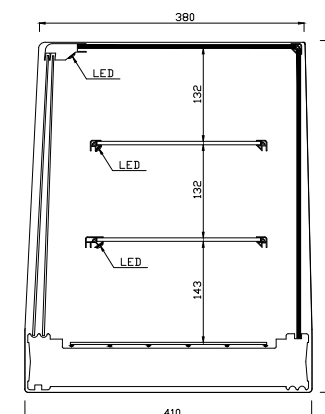
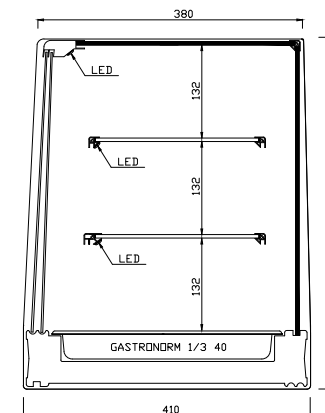


FR-120 ER2 BLACK

REMOTE GROUP
CHILLED DISPLAY CASE



Three levels - fully closed



Model	Length	Depth	Height	Trays (Included)	RETAIL PRICE
FR-4ER2	806	410	500	4	1.655 €
FR-6ER2	1156	410	500	6	1.760 €
FR-8ER2	1516	410	500	8	1.970 €
FR-10ER2	1866	410	500	10	2.290 €

Model	Length	Depth	Height	Grills (Included)	RETAIL PRICE
FR-120ER2	1216	410	500	2	1.710 €
FR-150ER2	1516	410	500	3	1.950 €
FR-200ER2	2016	410	500	4	2.300 €

BUILT-IN GROUP

CHILLED DISPLAY CASE + HEATED DISPLAY CABINET

Two Display cabinets in one

STRAIGHT
GLASS



Working
Temperature



Cold +1°/ 5°C
Heat +20°/ 90°C

MIX-2 Model

NEW

Chilled Area Characteristics

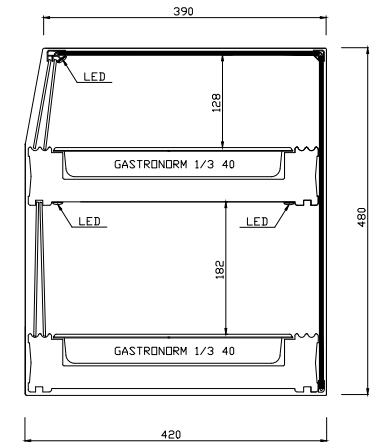
- Chilled lower tray areas.
- 3mm methacrylate guided sliding doors over a curved SANITARY profile for easy cleaning
- Methacrylate sides.
- Temperature control by means of a digital thermostat.
- Dual LED lighting.

Heated Area Characteristics

- Dry heat area display case trays.
- Heating system by means of a 30W/m heating cable attached to the base of the display case at the bottom.
- Display case thermal insulation with Euro Class A1 rock wool
- LED lighting.
- This display case cannot be used in a bain-marie (water bath).



MIX-2F4



Special Manufacture

CUSTOMISED

Request a quote

SUPPLEMENTARY TRAY

MELAMINE 1/3 h40

6 units. 8 units. 10 units.

72 € 96 € 120 €



UPPER AREA DRY HEAT



STATIC COOLING LOWER AREA

Model	Length	Depth	Height	Trays		RETAIL PRICE
				upper	lower	
MIX-2F4	1156	420	480	4	6	2.120 €
MIX-2F6	1516	420	480	6	8	2.345 €
MIX-2F8	1866	420	480	8	10	2.690 €



Two level cooling

Triple LED Lighting



DB F Model

- Double-height chilled display cabinet (TWO LEVEL COOLING).
- LOWER AREA: 1/3 h40 Gastronorm trays.
- UPPER AREA: Cold plate with grills included.
- Plates not included.
- Remote condensing unit protected fully protected and connected to the display cabinet by means of a 2.00 metre tube with Gas R-290 load included.
- Triple LED lighting.
- Sliding doors.
- SILVER framing.

DB-F6



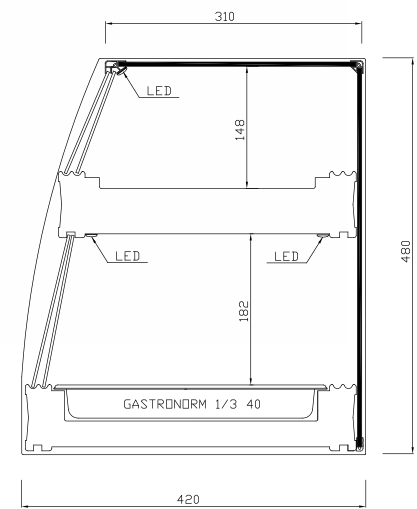
Trays INCLUDED



Special Manufacture **CUSTOMISED**
Request a quote

Model	Length	Depth	Height	Trays (Included)	Grills (Included)	RETAIL PRICE
DB-F6	1156	420	480	6	2	2.020 €
DB-F8	1516	420	480	8	3	2.235 €
DB-F10	1866	420	480	10	4	2.565 €

SUPPLEMENTARY TRAY
MELAMINE 1/3 h40
6 units. 8 units. 10 units.
72 € 96 € 120 €





REMOTE GROUP COLD PLATE

Stainless Steel

Working Temperature



+1°/+5°

Available accessories



Page 82

Technical specifications



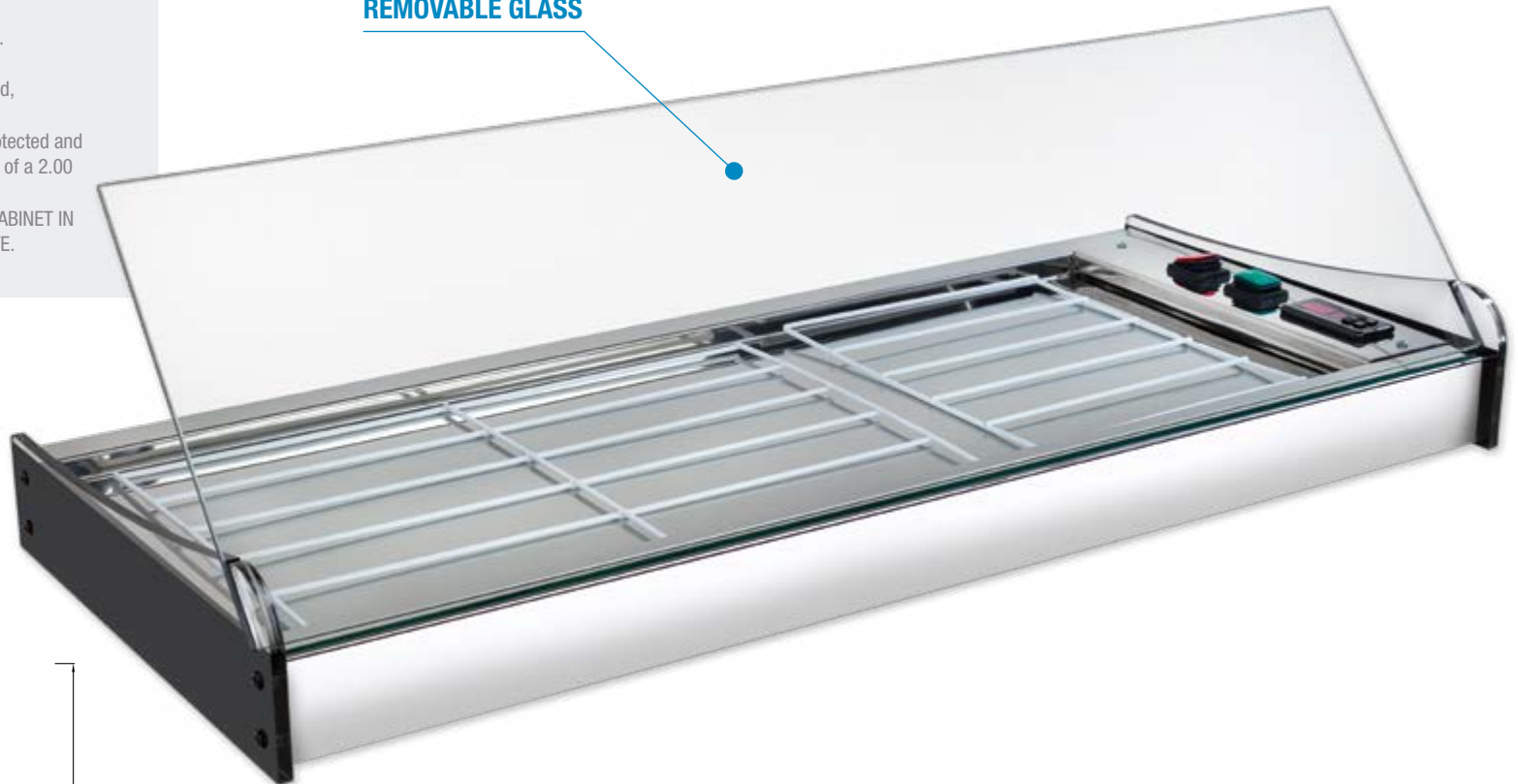
Page 40

PF Model

- COLD PLATE STATIC COOLING.
- Manufactured from AIS-304 stainless steel.
- Tempered removable glass.
- Completely open for displaying fish, seafood, appetisers, sushi etc.
- Remote condensing unit protected fully protected and connected to the display cabinet by means of a 2.00 metre tube with Gas R-290load included.
- OPTION TO MANUFACTURE THE DISPLAY CABINET IN ANY MEASUREMENT ACCORDING TO QUOTE.

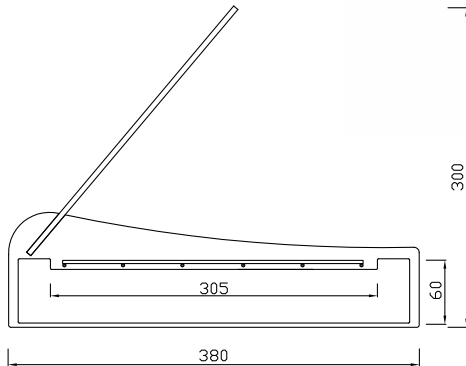
PF-120

REMOVABLE GLASS



Special Manufacture
CUSTOMISED

Request a quote



Model	Length	Depth	Height	Grills	RETAIL PRICE	Glass price
PF-120	1216	380	300	2	1.060 €	130 €
PF-150	1566	380	300	3	1.120 €	160 €
PF-200	2016	380	300	4	1.235 €	190 €

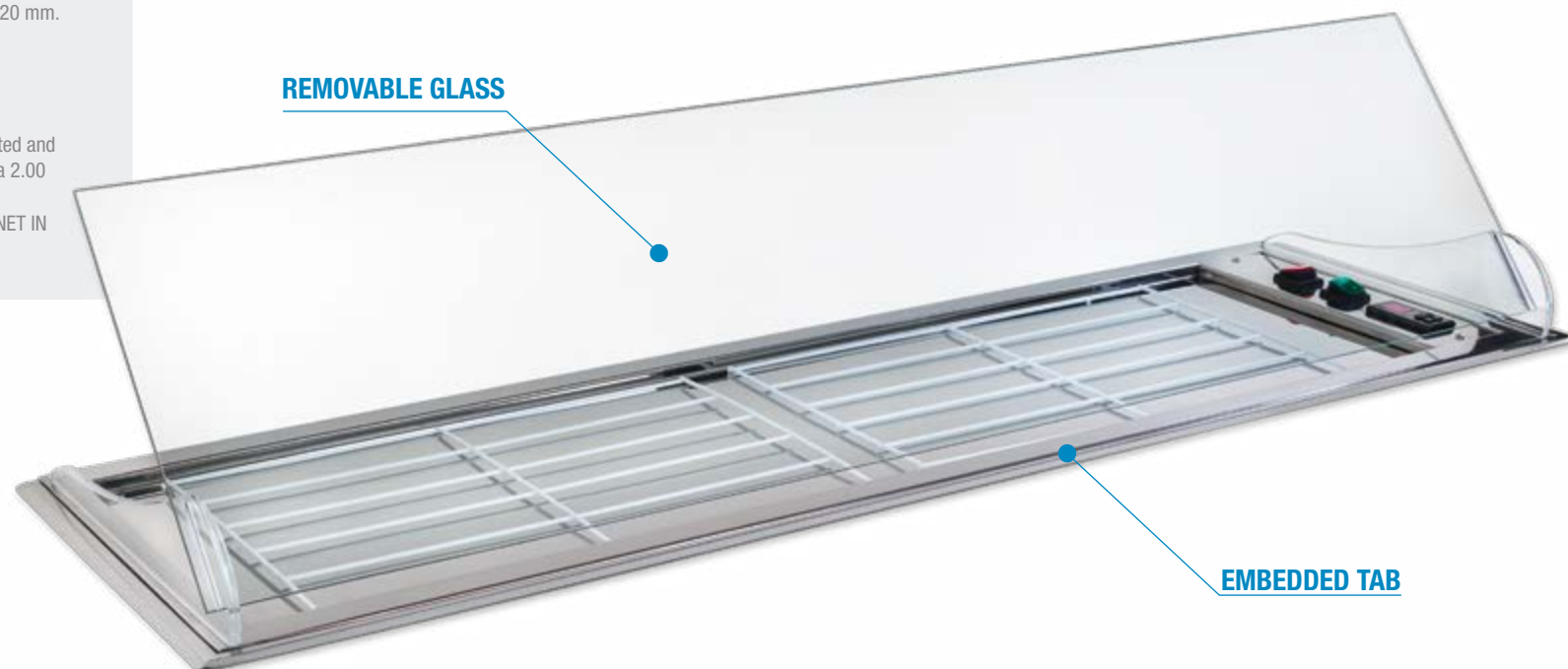


PFCST

Model

- COLD PLATE STATIC COOLING.
- Manufactured from AIS-304 stainless steel.
- The display case is embedded in the bar via a 20 mm. stainless steel framing.
- Tempered removable glass.
- Completely open for displaying fish, seafood, appetisers, sushi etc.
- Remote condensing unit protected fully protected and connected to the display cabinet by means of a 2.00 metre tube with Gas R-290 load included.
- OPTION TO MANUFACTURE THE DISPLAY CABINET IN ANY MEASUREMENT ACCORDING TO QUOTE.

PFCST-150



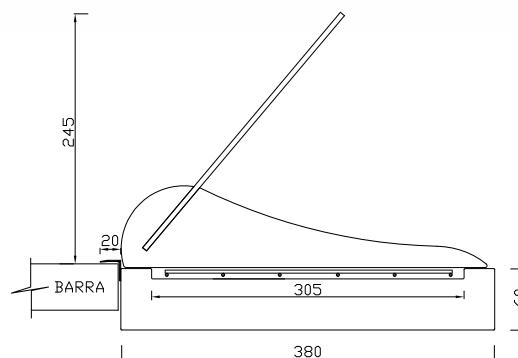
REMOVABLE GLASS

EMBEDDED TAB

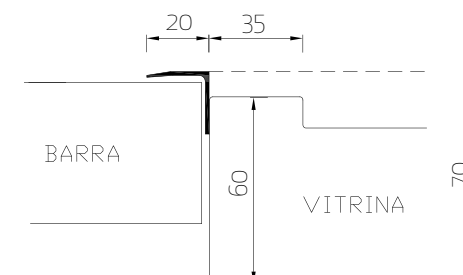
 Special Manufacture
CUSTOMISED

Request a quote

Model	Length	Depth	Height	Grills included	RETAIL PRICE	Glass price
PFCST-120	1220	380	245	2	1.590 €	130 €
PFCST-150	1520	380	245	3	1.650 €	160 €
PFCST-200	2020	380	245	4	1.815 €	190 €



EMBEDDED TAB DETAILS



Two Display cabinets in one

Working Temperature



Chilled + 1°/+5°
Heated + 20°/90°C

Available accessories



Page 82

Technical specifications



Page 40

MIX 200

Model

1200 mm Chilling Area Characteristics.

- Chilled display cabinet area with flat tray, ideal for displaying seafood, fish, appetisers, sushi etc.
- Remote condensing unit protected fully protected with galvanised steel sheet and connected to the display cabinet by means of a 2.00 mm. tube.
- 5 mm fixed curved glass.
- 3 mm methacrylate guided sliding doors over a curved SANITARY profile for easy cleaning.
- Methacrylate sides.
- Temperature control by means of a digital thermostat.
- LED lighting.

800 mm Heated Area Characteristics.

- Heated display cabinet area with flat tray, ideal for displaying pizza, sandwiches, pastry, appetisers etc.
- Heating system using a constant heating cable with a 30W/m consumption, attached to the base of the display cabinet at the bottom.
- Display cabinet thermal insulation with Euro Class A1 rock wool.
- LED lighting.
- This display cabinet cannot be used in a bain-marie (water bath).

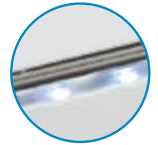
OPTION OF CONSTRUCTING VARIOUS MODELS

Under quote

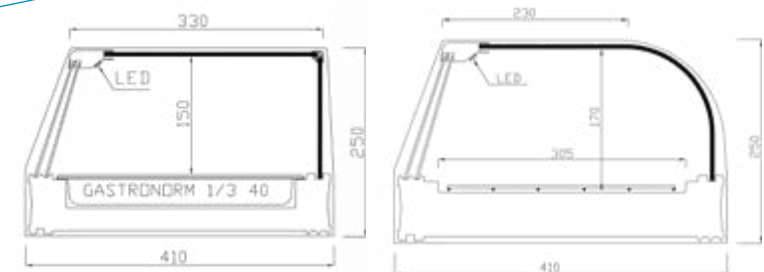
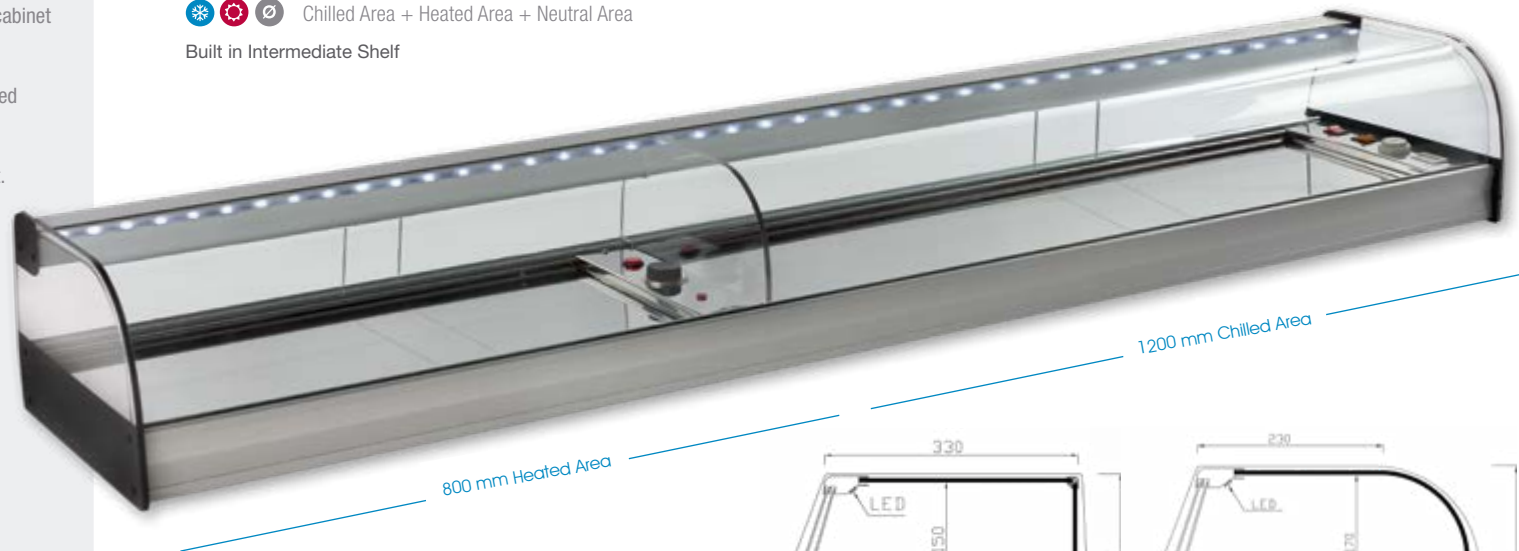
- Chilled Area + Heated Area
- Chilled Area + Neutral Area
- Heated Area + Neutral Area
- Chilled Area + Heated Area + Neutral Area

Built in Intermediate Shelf

LED
Lighting



MIX-200 SILVER



Special Manufacture
CUSTOMISED

Request a quote

Model	Length	Depth	Height	Chilled area	Power (Heated area)	RETAIL PRICE
MIX-200	2016	410	250	R-290	363 W / 230 V	1.760 €
MIX-200R	2016	410	250	R-290	363 W / 230 V	1.760 €

Available colors:



SILVER



WALNUT



WHITE



BLACK

Working Temperature



+1°/+5°

Technical specifications



Page 40

REMOTE GROUP

CHILLED DISPLAY CABINETS FOR INGREDIENTS



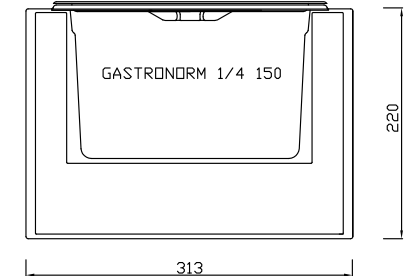
Stainless Steel

PZ 1/4 Model

- Manufactured from AIS-304 stainless steel.
- STATIC COOLING IN THE DISPLAY CABINET LOWER AND LATERAL AREAS.
- Option to close off with Straight Glass.
- LED LIGHTING.
- GN 1/4 h150 trays with polycarbonate lids (included).
- 15 mm polyethylene motor lid.

PZ6 1/4

POLYETHYLENE



LED
Lighting



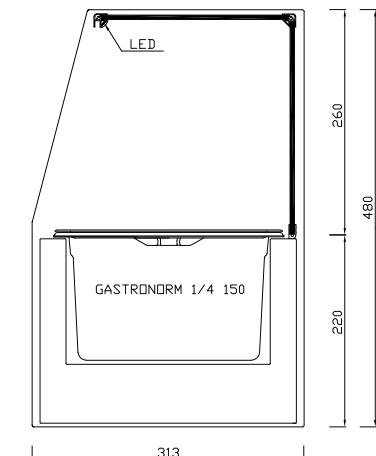
PZ6 1/4 CR

Model	Length	Depth	Height	GN 1/4 H150 TRAYS	RETAIL PRICE
PZ6 1/4	1496	313	220	6	1.450 €
PZ8 1/4	1826	313	220	8	1.620 €
PZ10 1/4	2156	313	220	10	1.890 €



TRAY LID
POLYCARBONATE INCLUDED

Model	Length	Depth	Height	GN 1/4 H150 TRAYS	RETAIL PRICE
PZ6 1/4CR	1496	313	480	6	1.675 €
PZ8 1/4CR	1826	313	480	8	1.855 €
PZ10 1/4CR	2156	313	480	10	2.160 €





REMOTE GROUP

CHILLED DISPLAY CABINETS FOR INGREDIENTS

Stainless Steel

Working Temperature



+1°/+5°

Technical specifications



Page 40

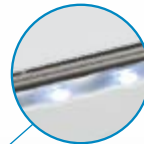
ING 1/4 Model

- Manufactured from AIS-304 stainless steel.
- STATIC COOLING IN THE DISPLAY CABINET LOWER AND LATERAL AREAS.
- Remote condensing unit protected and connected to the display cabinet by means of a 2.00 metre tube.
- With GAS R-290 load included.
- Option to close off with Straight Glass.
- LED LIGHTING.
- GN 1/4 h150 trays with polycarbonate lids (included).

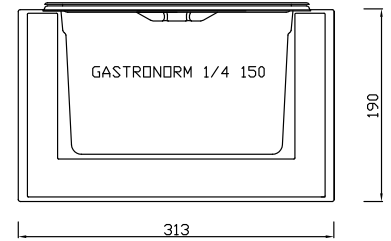


ING 6 1/4

LED
Lighting



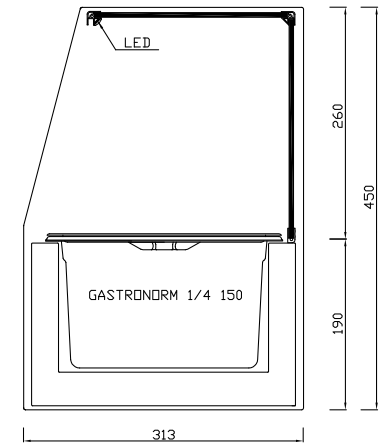
ING 6 1/4 CR



Model	Length	Depth	Height	GN 1/4 H150 TRAYS	RETAIL PRICE
ING 6 1/4	1086	313	190	6	1.430 €
ING 8 1/4	1416	313	190	8	1.615 €
ING 10 1/4	1746	313	190	10	1.860 €



TRAY COVER
POLYCARBONATE INCLUDED



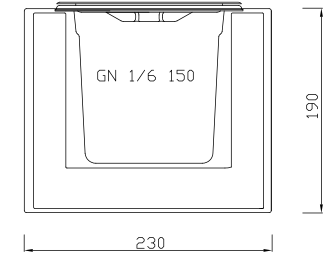
Model	Length	Depth	Height	GN 1/4 H150 TRAYS	RETAIL PRICE
ING 6 1/4 CR	1086	313	450	6	1.650 €
ING 8 1/4 CR	1416	313	450	8	1.820 €
ING 10 1/4 CR	1746	313	450	10	2.140 €



Stainless Steel

GN 1/6 h150 TRAY AND LID INCLUDED

ING 7 1/6



Model	Length	Depth	Height	TRAYS	RETAIL PRICE
ING 6 1/6	1086	230	190	6	1.145 €
ING 7 1/6	1250	230	190	7	1.190 €
ING 8 1/6	1416	230	190	8	1.245 €
ING 9 1/6	1580	230	190	9	1.295 €
ING 10 1/6	1746	230	190	10	1.320 €

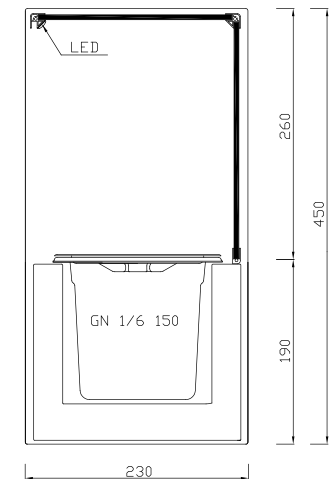
LED Lighting



ING 7 1/6 CR



TRAY COVER POLYCARBONATE INCLUDED



Model	Length	Depth	Height	GN 1/4 H150 TRAYS	RETAIL PRICE
ING 6 1/6 CR	1086	230	450	6	1.310 €
ING 7 1/6 CR	1250	230	450	7	1.370 €
ING 8 1/6 CR	1416	230	450	8	1.435 €
ING 9 1/6 CR	1580	230	450	9	1.485 €
ING 10 1/6 CR	1746	230	450	10	1.520 €



REMOTE GROUP

CHILLED DISPLAY CASE FOR TAKEOUT MEALS

Stainless steel

STRAIGHT GLASS

Working Temperature

+1°/+5°

Technical specifications

Page 40

FCL Model

- Manufactured from AIS-304 stainless steel.
- STATIC COOLING IN THE DISPLAY CABINET LOWER AND LATERAL AREAS.
- Remote condensing unit protected and connected to the display cabinet by means of a 2.00 metre tube.
- With GAS R-290 load included.
- LED lighting.
- Methacrylate sliding doors.
- GN 1/1 GN 1/4 GN 1/3 h100 trays.

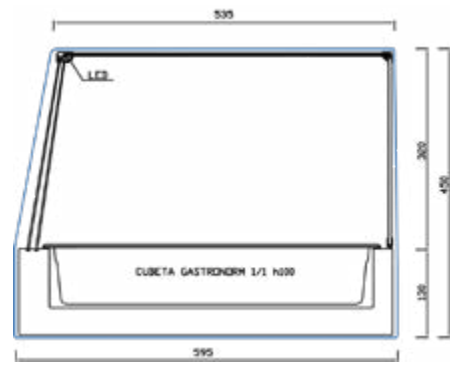
FCL-11-3



Trays GN 1/1 h100
530 x 325 x 100 cm



Trays GN 1/4 h100
162 x 265 x 100 cm



Model	Length	Depth	Height	Trays	RETAIL PRICE
FCL 11-3	1080	595	450	3	1.525 €
FCL 11-4	1405	595	450	4	1.685 €
FCL 11-5	1730	595	450	5	1.960 €

STRAIGHT
GLASS



Working
Temperature



+1°/+5°

Technical
specifications



Page
40

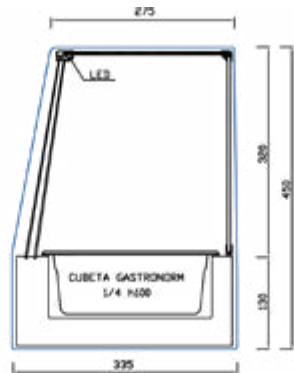
REMOTE GROUP

CHILLED DISPLAY CASE FOR TAKEOUT MEALS

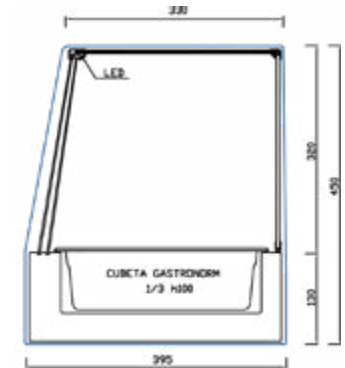


Stainless steel

FCL-14-6



FCL-13-6



Trays GN 1/3 h100
325 x 175 x 100 cm

Model	Length	Depth	Height	Trays	RETAIL PRICE
FCL 14-6	1078	335	450	6	1.190 €
FCL 14-8	1400	335	450	8	1.320 €
FCL 14-10	1726	335	450	10	1.540 €

Model	Length	Depth	Height	Trays	RETAIL PRICE
FCL 13-6	1156	395	450	6	1.360 €
FCL 13-7	1331	395	450	7	1.490 €
FCL 13-8	1516	395	450	8	1.710 €



BUILT-IN GROUP AND REMOTE
CHILLED DISPLAY CASES



BAR DISPLAY CABINET SUPPORTS

- Lacquered steel support to move the bar display cabinet, gaining space for the customer.
- It is served in a 2 unit package.

RETAIL PRICE: 50,00€



1/3 H40 GASTRONORM TRAYS

- 18/10 stainless steel.
325 x 175 x 40 mm

RETAIL PRICE: 11,00€



GN 1/2 MELAMINE TRAY

- White/Black
325 x 265 x 20 mm

RETAIL PRICE: 18,00€



WHITE MELAMINE TRAY 1/3 h40

- WHITE Color
325 x 175 x 40 mm.

P.V.P : 22,00€



BOARD PLATE

- 300 x 200 x 5 mm.

RETAIL PRICE: 12,00€



PLASTIC-COATED GRILLS

- White/Black.
450 x 280 x 5 mm

RETAIL PRICE: 16,00€



PORCELAIN TRAY

- 265 x 180 x 25 mm.

RETAIL PRICE: 17,00€





HEAT

Display cabinets



Bain-marie (water bath)

pages 88 - 91



Dry Heat

pages 92 - 95

BAIN-MARIE (WATER BATH)
 DISPLAY CABINETS



Page
 88

CA-6

Bain-marie (water bath) 1/3h 40



Page
 91

CA14-6

Bain-marie (water bath) 1/4h 100



Page
 89

CA-6E

Bain-marie (water bath) with 1/3h 40 shelf



Page
 91

CA13-5

Bain-marie (water bath) 1/3h 100



Page
 90

CA11-3

Bain-marie (water bath) 1/1 h100



Page
92

SC-6

Dry heat 1/3h 40



NEW

Page
94

SC-2ER

Dry heating 2 shelves



Page
93

SC-6E

Dry heating with 1/3h 40 shelf



Page
95

CA-150

Dry heating flat plate



BAIN-MARIE (WATER BATH) HEATED DISPLAY CABINET

CA Model

- Temperature control by means of a 20-90°C thermostat.
- Built-in drain.
- Waterproof operating switches with external bellows.
- Display cabinet thermal insulation with Euro Class A1 rock wool.
- Methacrylate sliding doors.
- Interior tray manufactured from AISI-304 stainless steel.
- LED lighting.
- Tempered safety glass.

RECOMMENDED
NOT TO EXCEED 70°C.

Trays
INCLUDED



Special Manufacture
CUSTOMISED
Request a quote

SUPPLEMENTARY TRAY
MELAMINE 1/3 h40
4 units. 6 units. 8 units.
48 € 72 € 96 €



LED
Lighting



CA-6 WALNUT



STRAIGHT
GLASS



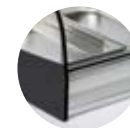
CURVED
GLASS



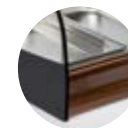
Working
Temperature



+20°/+90°



SILVER



WALNUT



WHITE

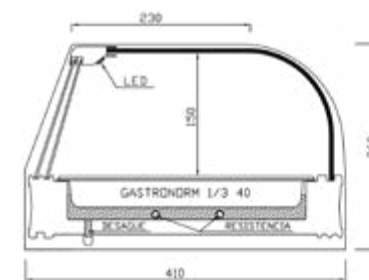


BLACK

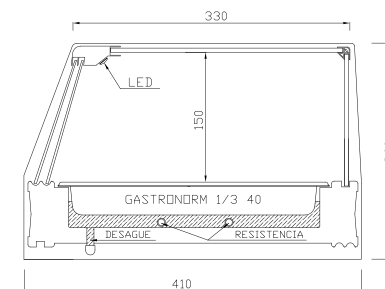


STAINLESS STEEL

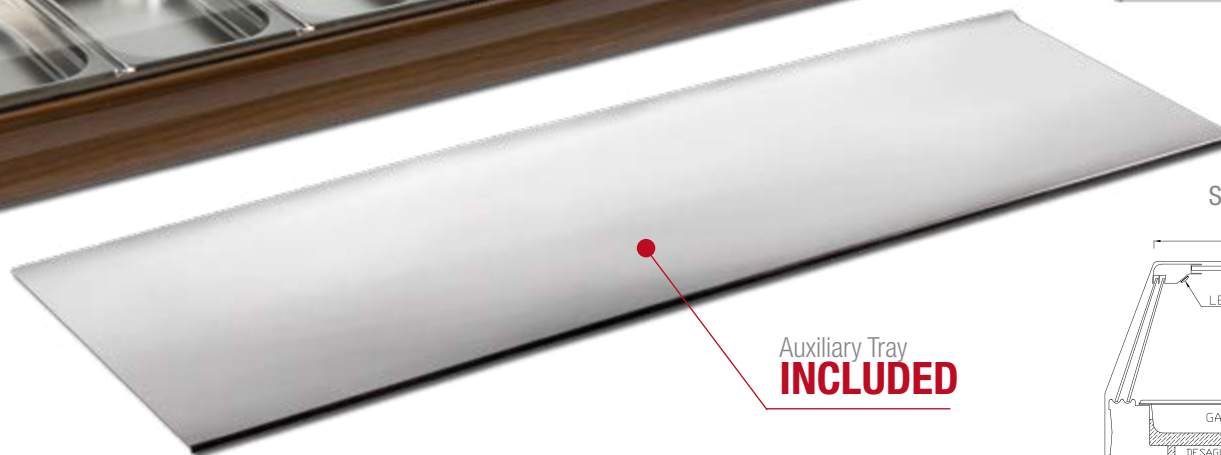
CURVED GLASS



STRAIGHT GLASS



Auxiliary Tray
INCLUDED



- HEATED **BAIN-MARIE (WATER BATH)** DISPLAY CABINET. IDEAL FOR DISPLAYING HOT APPETISERS ON GASTRONORM TRAY INCLUDED IN THE DISPLAY CABINET.
- AVAILABLE WITH STAINLESS STEEL FLAT TRAY FOR USE WITHOUT TRAYS OR AS **NEUTRAL DISPLAY CABINET**.

Model	Length	Depth	Height	Trays (Included)	Power	Silver/Walnut/White/Black	Stainless steel
CA-4 CA-4R	810	410	260	4	704 W / 230 V	760 €	850 €
CA-6 CA-6R	1160	410	260	6	1006 W / 230 V	830 €	930 €
CA-8 CA-8R	1516	410	260	8	1308 W / 230 V	900 €	1.010 €

BAIN-MARIE (WATER BATH) HEATED DISPLAY CABINET



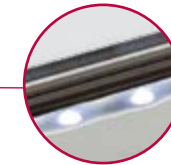
CA E
Model

- Tempered safety glass.
- Intermediate shelf.

CA-6E WALNUT

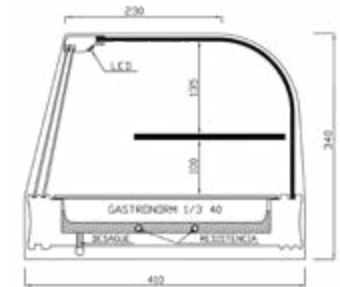


Intermediate shelf



LED
Lighting

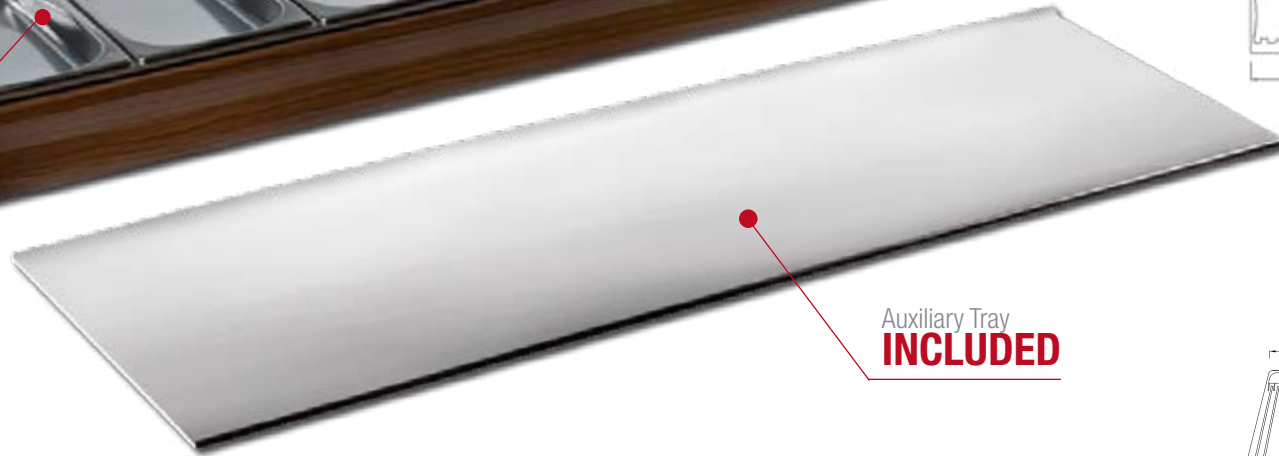
CURVED GLASS



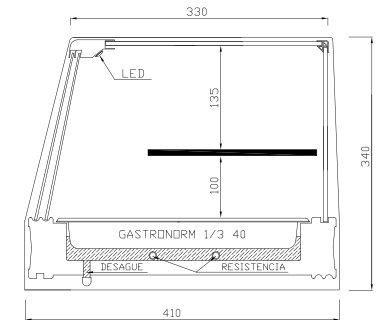
Trays
INCLUDED



Auxiliary Tray
INCLUDED



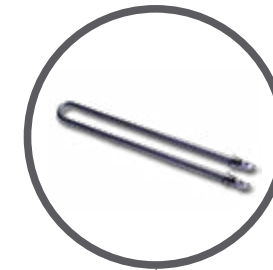
STRAIGHT GLASS



Special Manufacture
CUSTOMISED

Request a quote

SUPPLEMENTARY TRAY
MELAMINE 1/3 h40
4 units. 6 units. 8 units.
48 € 72 € 96 €



HEATING SYSTEM THROUGH 10 mm.
RESISTENCE ON STAINLESS STEEL

Model	Length	Depth	Height	Trays (Included)	Power	Silver/Walnut/White/Black	Stainless steel
CA-4E CA-4ER	810	410	340	4	704 W / 230 V	890 €	995 €
CA-6E CA-6ER	1160	410	340	6	1006 W / 230 V	955 €	1.070 €
CA-8E CA-8ER	1516	410	340	8	1308 W / 230 V	1.030 €	1.150 €



BAIN-MARIE (WATER BATH)

HEATED DISPLAY CASES FOR TAKEOUT MEALS

STRAIGHT
GLASS

Working
Temperature +20°/+90°

Model

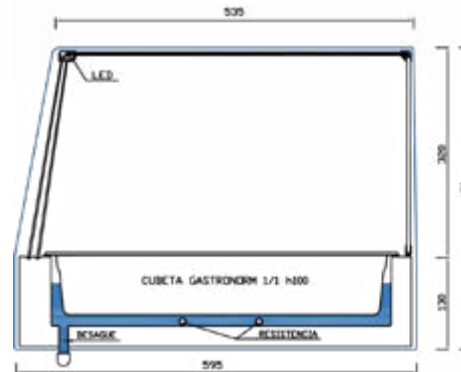
CAL11 CAL14 CAL13

- Temperature control by means of a 20-90°C thermostat.
- Built-in drainpipe.
- Waterproof operating switches with external bellows.
- Display case thermal insulation with Euro Class A1 rock wool.
- Methacrylate sliding doors.
- Inner tank manufactured from AISI-304 stainless steel.
- LED lighting.

CAL11-3



Trays GN 1/1 h100
530 x 325 x100



HEATING SYSTEM USING RESISTANCE
Stainless Steel 10 mm.

Model	Length	Depth	Height	Trays	Power	RETAIL PRICE
CAL11-3	1080	595	450	3	1006 W / 230 V	1.280 €
CAL11-4	1405	595	450	4	1308 W / 230 V	1.450 €

HEATED DISPLAY CASES FOR TAKEOUT MEALS



CAL14-6



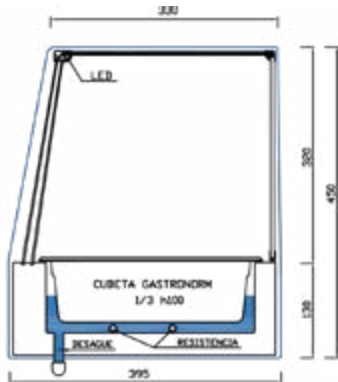
Trays GN 1/4 h100
162 x 265 x100



CAL13-5



Trays GN 1/3 h100
325 x175 x100



Model	Length	Depth	Height	Trays	Power	RETAIL PRICE
CAL14-6	1078	335	450	6	1006 W / 230 V	925 €
CAL14-8	1400	335	450	8	1308 W / 230 V	1.060 €

Model	Length	Depth	Height	Trays	Power	RETAIL PRICE
CAL13-4	810	395	450	4	707 W / 230 V	1.100 €
CAL13-6	1160	395	450	6	1006 W / 230 V	1.240 €
CAL13-8	1516	395	450	8	1308 W / 230 V	1.475 €



DRY HEAT

HEATED DISPLAY CABINET

SC
Model

- Temperature control by means of a 20-90°C thermostat.
- Waterproof operating switches with external bellows.
- Display cabinet thermal insulation with Euro Class A1 rock wool.
- Methacrylate sliding doors.
- Interior tank manufactured from AISI-304 stainless steel.
- LED lighting.
- Tempered safety glass.

RECOMMENDED
NOT TO EXCEED 70°C.

STRAIGHT
GLASS



CURVED
GLASS



Working
Temperature



+20°/+90°



SILVER



WALNUT



WHITE



BLACK



STAINLESS STEEL

LED
Lighting



SC-6 WALNUT



Trays
INCLUDED



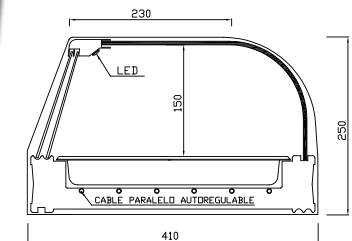
Special Manufacture
CUSTOMISED

Request a quote

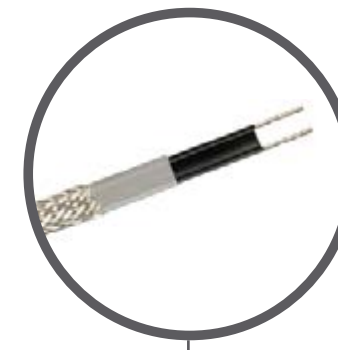
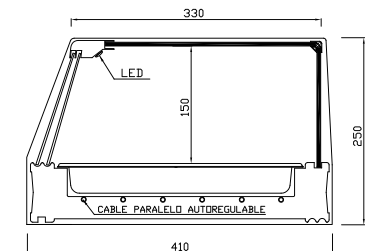
SUPPLEMENTARY TRAY
MELAMINE 1/3 h40
4 units. 6 units.
48 € 72 €



CURVED GLASS



STRAIGHT GLASS



HEATING SYSTEM THROUGH
SELF-REGULATING CONCURRENT CABLE

Model	Model	Length	Depth	Height	Trays (Included)	Power	Silver/Walnut/White/Black	Stainless steel
SC-4	SC-4R	810	410	250	4	170 W / 230 V	740 €	830 €
SC-6	SC-6R	1160	410	250	6	225 W / 230 V	810 €	910 €

DRY HEAT

HEATED DISPLAY CABINET



Intermediate shelf

SC-E Model

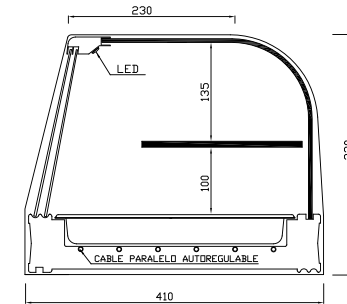
- Tempered safety glass.
- Intermediate Shelf

SC-6E WALNUT

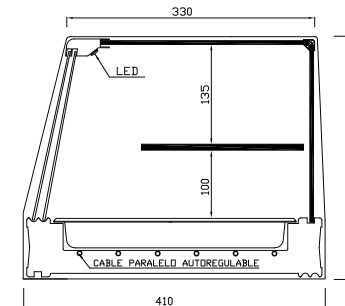


LED
Lighting

CURVED GLASS



STRAIGHT GLASS



Special Manufacture
CUSTOMISED

Request a quote

SUPPLEMENTARY TRAY
MELAMINE 1/3 h40
4 units. 6 units.
48 € 72 €



Trays
INCLUDED



Model	Length	Depth	Height	Trays (Included)	Power	Silver/Walnut/White/ /Black	Stainless steel
SC-4E SC-4ER	810	410	330	4	170 W / 230 V	€850	950 €
SC-6E SC-6ER	1160	410	330	6	225 W / 230 V	€930	1.070 €



BAIN-MARIE / DRY HEAT

HEATED DISPLAY CABINET

Three levels

STRAIGHT GLASS

CURVED GLASS

Working Temperature +20°/+90°

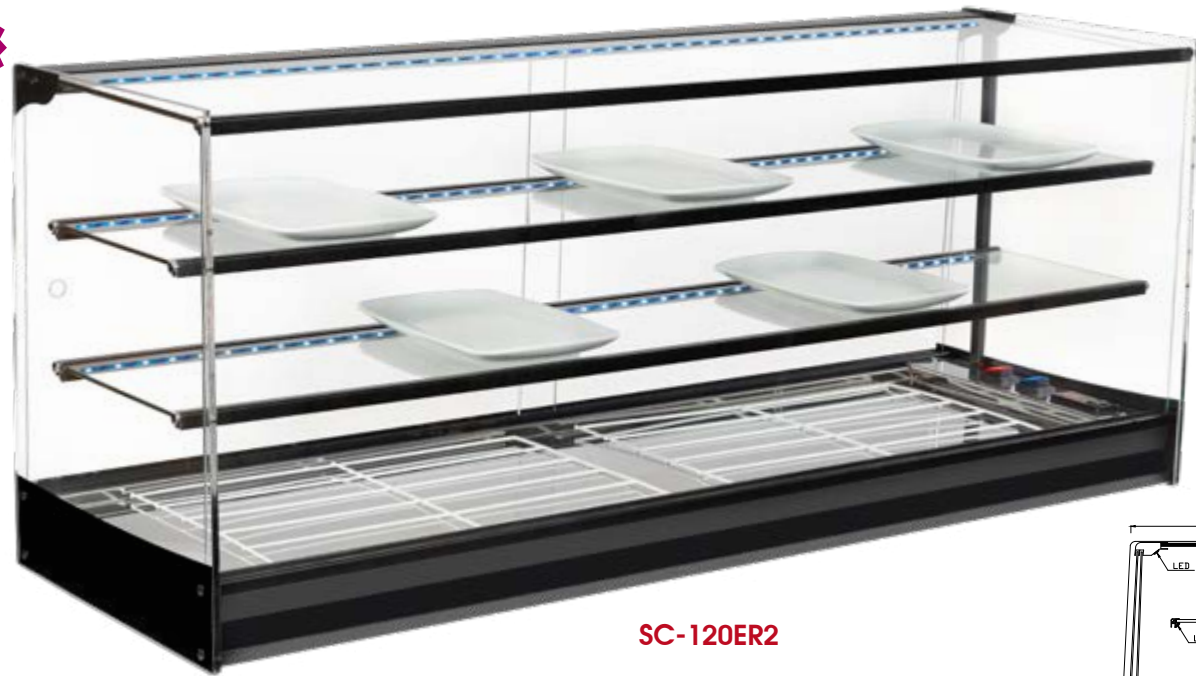
CA-2ER SC-2ER

Model

NEW

- Temperature control by means of a 20-90°C thermostat.
- Waterproof operating switches with external bellows.
- Display case thermal insulation with rock wool Euro Class A1 rock wool.
- Sliding methacrylate doors.
- Interior vat manufactured from AISI-304 Stainless Steel.
- LED lighting on each shelf.

RECOMMENDED
NOT TO EXCEED 70°C.



SC-120ER2



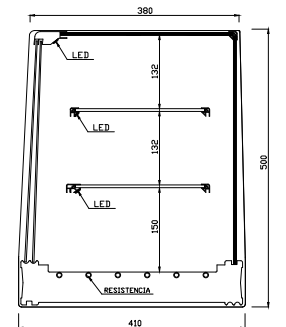
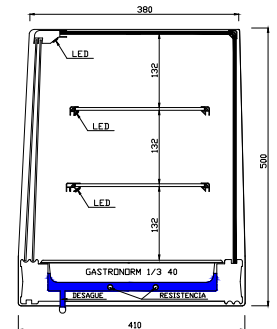
SILVER

WALNUT

WHITE

BLACK

STAINLESS STEEL



Model	Length	Depth	Height	Trays	Water	Power	Silver/Walnut/White/Black	Stainless Steel
SC-2ER4	810	410	500	4	NO	170 W / 230 V	1.060 €	1.180 €
SC-2ER6	1160	410	500	6	NO	225 W / 230 V	1.160 €	1.300 €
SC-2ER120	1216	410	500	NO	NO	225 W / 230 V	1.190 €	1.330 €
SC-2ER150	1516	410	500	NO	NO	278 W / 230 V	1.420 €	1.590 €
CA-2ER4	810	410	500	4	YES	704 W / 230 V	1.100 €	1.235 €
CA-2ER6	1160	410	500	6	YES	1006 W / 230 V	1.210 €	1.355 €

STRAIGHT
GLASS

CURVED
GLASS

Working
Temperature $+20^{\circ}/+90^{\circ}$

Available
accessories Page
76

DRY HEAT

HEATED DISPLAY CABINET



CA 150

CA 150 Model

- Hot flat tray display case ideal for pizza display, sandwiches, pastries, skewers etc.
- Tempered safety glass.
- Methacrylate sliding doors.
- Constructed entirely in AISI-304 Stainless Steel.
- Temperature control by means of a $+20^{\circ}\text{C} / +90^{\circ}\text{C}$ thermostat.
- Display case thermal insulation with Euro Class A1 rock wool.
- LED lighting.
- This display case cannot be used in a bain marie (water bath).

RECOMMENDED
NOT TO EXCEED 70°C .

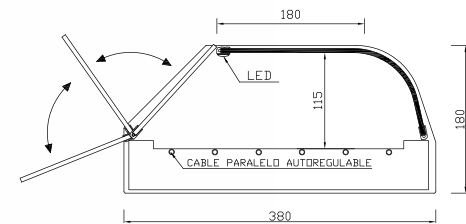


HEATING SYSTEM THROUGH
SELF-REGULATING CONCURRENT CABLE

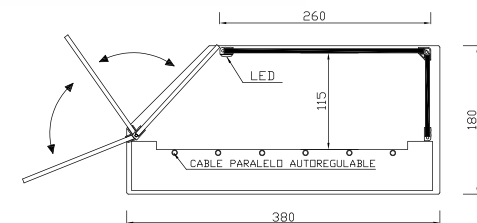
LED
Lighting



CURVED GLASS



STRAIGHT GLASS



Fabricación Especial
A MEDIDA
Pídanos Presupuesto

Model	Length	Depth	Height	Power	RETAIL PRICE	
CA-120	CA-120R	1200	180	380	225 W / 230 V	900 €
CA-150	CA-150R	1500	180	380	278 W / 230 V	1.045 €
CA-200	CA-200R	2000	180	380	369 W / 230 V	1.224 €





NEUTRAL

Display cabinets



Curved/ Straight Glass

pages 100 - 127



Methacrylate Display Cabinets

pages 116 - 117



Display Cabinet Trays

pages 128 - 129



NEUTRAL DISPLAY CABINETS



Page 104 VC 100



Page 109 ST-106



Page 100 INOX-VC 100 LED



Page 105 VCL-100



Page 110 STL-106



Page 101 INOX-VCL 100 LED



Page 106 VR-100



Page 111 VP3



Page 102 INOX-VR 100 LED



Page 107 VRL-100



Page 112-113 PSC-C



Page 103 INOX-VRLP 100 LED



Page 108 VRL-2E



Page 114 EXPO BLACK 1 MINI





Page 115 **HIDRA-2**



Page 120 **Si-100**



Page 125 **3 PZ**



Page 128 **ROBLEX-OCT**



Page 116 **VGN 1/2**



Page 121 **S2**



Page 125 **4ECR**



Page 129 **POLI-2**



Page 117 **VE2GN 1/1**



Page 122 **PT-XE 100**



Page 126 **HD-1**



Page 118 **MT-X**



Page 123 **TRI 100**



Page 127 **HD-2**



Page 119 **MT-S 75**



Page 124 **OP-2 100**



Page 128 **GN 1/1 T**



CURVED GLASS NEUTRAL DISPLAY CABINETS

Stainless steel base

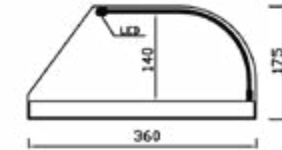
INOX VC Model

- Display cabinet constructed on a Stainless Steel AISI-304 base.
- Curved FIXED TEMPERERED SAFETY glass.
- Methacrylate sides.
- LED lighting OPTIONAL.



INOX-VC 100 LED

LED
Lighting
OPTIONAL



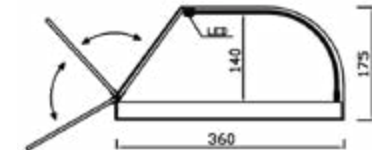
Model	Length	Depth	Height	Light	RETAIL PRICE
INOX-VC 100	990	360	175	NO	310 €
INOX-VC 120	1220	360	175	NO	345 €
INOX-VC 100 LED	990	360	175	YES	405 €
INOX-VC 120 LED	1220	360	175	YES	440 €

INOX VCP Model

- Display cabinet constructed on a Stainless Steel AISI-304 base.
- Curved FIXED TEMPERERED SAFETY glass.
- Completely closed with 5 mm methacrylate folding doors.
- Methacrylate sides.
- LED lighting OPTIONAL.



INOX-VCP 100 LED



Model	Length	Depth	Height	Light	RETAIL PRICE
INOX-VCP 100	990	360	175	NO	375 €
INOX-VCP 120	1220	360	175	NO	410 €
INOX-VCP 100 LED	990	360	175	YES	465 €
INOX-VCP 120 LED	1220	360	175	YES	505 €



Special Manufacture
CUSTOMISED

Request a quote

CURVED GLASS NEUTRAL DISPLAY CABINETS

Stainless steel base



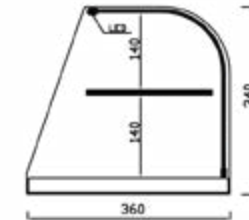
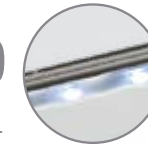
INOX VCL Model

- Display cabinet constructed on a Stainless Steel AISI-304 base.
- Curved FIXED TEMPERED SAFETY glass.
- Intermediate glass shelf.
- Methacrylate sides.
- LED lighting OPTIONAL.

INOX-VCL 100 LED



LED
Lighting
OPTIONAL

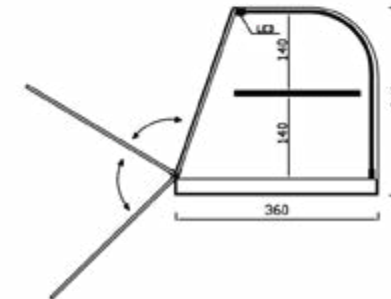


Model	Length	Depth	Height	Light	RETAIL PRICE
INOX-VCL 100	990	360	340	NO	395 €
INOX-VCL 120	1220	360	340	NO	435 €
INOX-VCL 100 LED	990	360	340	YES	495 €
INOX-VCL 120 LED	1220	360	340	YES	530 €

INOX VCLP Model

- Display cabinet constructed on a Stainless Steel AISI-304 base.
- Curved FIXED TEMPERED SAFETY glass.
- Intermediate glass shelf.
- Completely closed with 5 mm methacrylate folding doors.
- Methacrylate sides.
- LED lighting OPTIONAL.

INOX-VCLP 100 LED



Model	Length	Depth	Height	Light	RETAIL PRICE
INOX-VCLP 100	990	360	340	NO	445 €
INOX-VCLP 120	1220	360	340	NO	490 €
INOX-VCLP 100 LED	990	360	340	YES	540 €
INOX-VCLP 120 LED	1220	360	340	YES	575 €

Special Manufacture
CUSTOMISED

Request a quote



CURVED GLASS NEUTRAL DISPLAY CABINETS

Stainless steel base

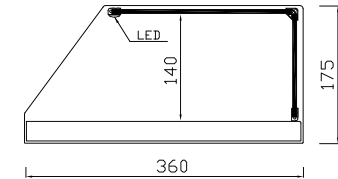
INOX VR Model

- Display cabinet constructed on a Stainless Steel AISI-304 base.
- Straight glass.
- Methacrylate sides.
- LED lighting OPTIONAL.



INOX-VR 100 LED

LED
Lighting
OPTIONAL



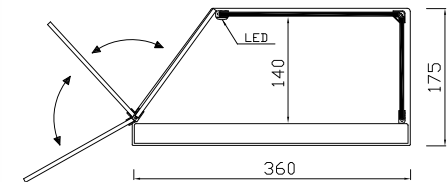
Model	Length	Depth	Height	Light	RETAIL PRICE
INOX-VR 100	1012	360	175	NO	310 €
INOX-VR 120	1220	360	175	NO	345 €
INOX-VR 100 LED	1012	360	175	YES	405 €
INOX-VR 120 LED	1220	360	175	YES	440 €

INOX VRP Model

- Display cabinet constructed on a Stainless Steel AISI-304 base.
- Straight glass.
- Completely closed with 5 mm methacrylate folding doors
- Methacrylate sides.
- LED lighting OPTIONAL.



INOX-VRP 100 LED



Model	Length	Depth	Height	Light	RETAIL PRICE
INOX-VRP 100	1012	360	175	NO	375 €
INOX-VRP 120	1220	360	175	NO	410 €
INOX-VRP 100 LED	1012	360	175	YES	465 €
INOX-VRP 120 LED	1220	360	175	YES	505 €



Special Manufacture
CUSTOMISED

Request a quote

STRAIGHT GLASS NEUTRAL DISPLAY CABINETS

Stainless steel base



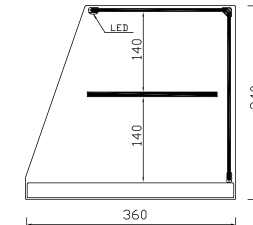
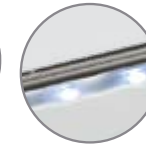
INOX VRL Model

- Display cabinet constructed on a Stainless Steel AISI-304 base.
- Straight glass.
- Intermediate glass shelf.
- Methacrylate sides.
- LED lighting OPTIONAL.



INOX-VRL 100 LED

LED
Lighting
OPTIONAL



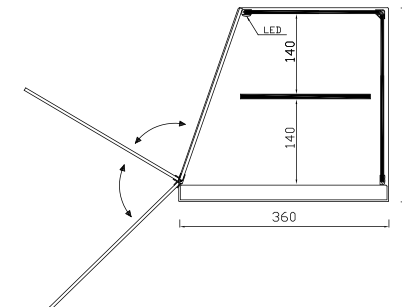
Model	Length	Depth	Height	Light	RETAIL PRICE
INOX-VRL 100	1012	360	340	NO	395 €
INOX-VRL 120	1220	360	340	NO	435 €
INOX-VRL 100 LED	1012	360	340	YES	495 €
INOX-VRL 120 LED	1220	360	340	YES	530 €

INOX VRLP Model

- Display cabinet constructed on a Stainless Steel AISI-304 base.
- Straight glass.
- Intermediate glass shelf.
- Completely closed with 5 mm methacrylate folding doors
- Methacrylate sides.
- LED lighting OPTIONAL



INOX-VRLP 100 LED



Model	Length	Depth	Height	Light	RETAIL PRICE
INOX-VRLP 100	1012	360	340	NO	445 €
INOX-VRLP 120	1220	360	340	NO	490 €
INOX-VRLP 100 LED	1012	360	340	YES	540 €
INOX-VRLP 120 LED	1220	360	340	YES	575 €

Special Manufacture
CUSTOMISED

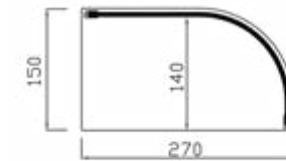
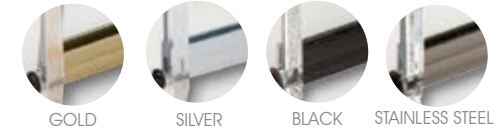
Request a quote

CURVED GLASS NEUTRAL DISPLAY CABINETS

VC Model

- Tempered safety glass.
- 15 mm anodised aluminium framing.
- 6 mm methacrylate sides.
- Colors to choose from GOLD - SILVER - BLACK - STAINLESS STEEL.
- Open in server area.

VC 100 GOLD

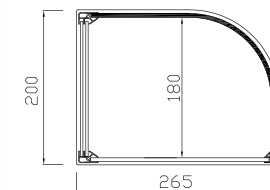
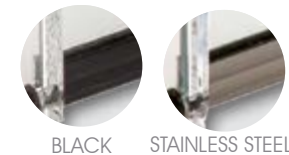


Model	Length	Depth	Height	RETAIL PRICE
VC-100	982	270	150	184 €
VC-120	1212	270	150	215 €

NCP Model

- Tempered safety glass.
- Anodised aluminium framing.
- 6 mm methacrylate sides.
- 3 mm methacrylate sliding doors.
- Laminated board base.
- Colours to choose from BLACK - INOX.
- Closed in server area.

NCP-100 STAINLESS STEEL



Model	Length	Depth	Height	RETAIL PRICE
NCP-100	982	265	200	270 €
NCP-120	1212	265	200	315 €

Special Manufacture
CUSTOMISED

Request a quote

CURVED GLASS NEUTRAL DISPLAY CABINETS



VCL Model

- Tempered safety glass.
- 15 mm anodised aluminium framing.
- 6 mm methacrylate sides.
- 5 mm glass intermediate shelf with 15 mm framing.
- Colors to choose from GOLD - SILVER - BLACK - STAINLESS STEEL.
- Open in server area.

VCL-100 SILVER

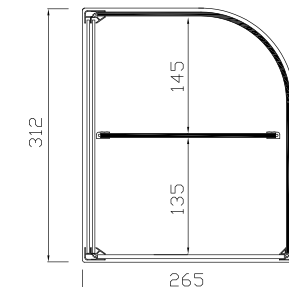
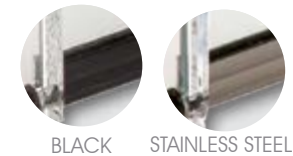


Model	Length	Depth	Height	RETAIL PRICE
VCL-100	982	270	310	255 €
VCL-120	1212	270	310	302 €

NCLP Model

- Tempered safety glass.
- Anodised aluminium framing.
- 6 mm methacrylate sides.
- Glass intermediate shelf.
- 3 mm methacrylate sliding doors.
- Laminated board base.
- Colours to choose from BLACK - INOX.
- Closed in server area.

NCLP-100 BLACK



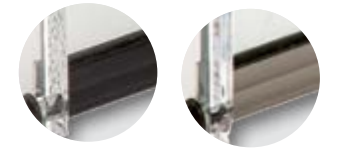
Model	Length	Depth	Height	RETAIL PRICE
NCLP-100	982	265	312	345 €
NCLP-120	1212	265	312	385 €

Special Manufacture
CUSTOMISED

Request a quote



STRAIGHT GLASS NEUTRAL DISPLAY CABINETS



BLACK STAINLESS STEEL

VR Model

- 15 mm anodised aluminium framing
- 6 mm methacrylate sides.
- Front and back in tempered glass.
- Colors to choose from BLACK - STAINLESS STEEL.
- Open in server area.

VR-100 BLACK

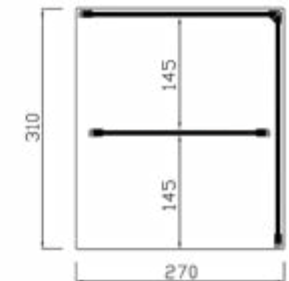


Model	Length	Depth	Height	RETAIL PRICE
VR-100	1012	270	150	185 €
VR-120	1212	270	150	215 €

VR L Model

- Intermediate shelf.
- 15 mm anodised aluminium framing
- 6 mm methacrylate sides.
- Front and back in tempered glass.
- Colors to choose from BLACK - STAINLESS STEEL.
- Open in server area.

VRL-100
STAINLESS STEEL



Model	Length	Depth	Height	RETAIL PRICE
VRL-100	1012	270	310	245 €
VRL-120	1212	270	310	290 €



Special Manufacture

CUSTOMISED

Request a quote

STRAIGHT GLASS NEUTRAL DISPLAY CABINETS



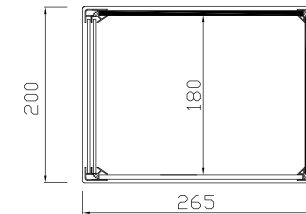
VR P Model

- Anodised aluminium framing.
- 6 mm methacrylate sides.
- 3 mm methacrylate sliding doors..
- Plastic-coated board base.
- Front and back in tempered glass.
- Colors to choose from BLACK - STAINLESS STEEL.
- Closed in server area.

VRP-100 BLACK



BLACK STAINLESS STEEL

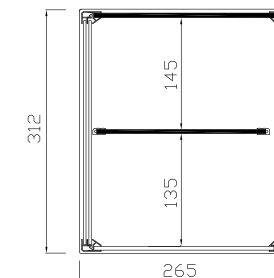


Model	Length	Depth	Height	RETAIL PRICE
VRP-100	1012	265	200	270 €
VRP-120	1212	265	200	325 €

VRLP Model

- Intermediate shelf.
- Anodised aluminium framing.
- 6 mm methacrylate sides.
- Methacrylate sliding doors on both sides.
- Plastic-coated board base.
- Front and back in tempered glass.
- Colors to choose from BLACK - STAINLESS STEEL.
- Closed in server area.

VRLP-100
STAINLESS STEEL



Model	Length	Depth	Height	RETAIL PRICE
VRLP-100	1012	265	312	335 €
VRLP-120	1212	265	312	365 €

Special Manufacture
CUSTOMISED

Request a quote

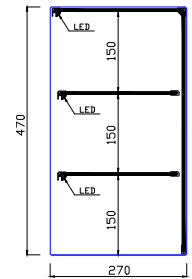


STRAIGHT GLASS NEUTRAL DISPLAY CABINETS

VRL-2E100 LED



BLACK STAINLESS STEEL



Model VRL-2E

- Tempered safety glass.
- Anodised aluminium framing.
- 6 mm methacrylate sides.
- 2 glass intermediate shelves.
- Colours to choose from BLACK - STAINLESS STEEL.
- LED lighting OPTIONAL.

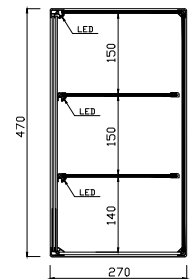


Model	Length	Depth	Height	LED	RETAIL PRICE
VRL-2E100	1012	270	470	NO	370 €
VRL-2E100LED	1212	270	470	YES	460 €
VRL-2E120	1012	270	470	NO	435 €
VRL-2E120LED	1212	270	470	YES	545 €

VRLP-2E100 LED



BLACK STAINLESS STEEL



Model VRLP-2E

- Tempered safety glass.
- Anodised aluminium framing.
- 6 mm methacrylate sides.
- 2 glass intermediate shelves.
- 3 mm sliding methacrylate doors.
- Laminated board base.
- Colours to choose from BLACK - STAINLESS STEEL.
- Closed in server area.
- LED lighting OPTIONAL.



Model	Length	Depth	Height	LED	RETAIL PRICE
VRLP-2E100	1012	270	470	NO	460 €
VRLP-2E100LED	1212	270	470	YES	550 €
VRLP-2E120	1012	270	470	NO	540 €
VRLP-2E120LED	1212	270	470	YES	650 €

Special Manufacture
CUSTOMISED

Request a quote

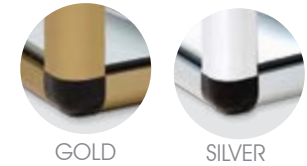
STRAIGHT GLASS NEUTRAL DISPLAY CABINETS



ST Model

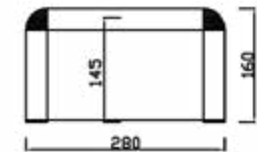
- 30 mm anodised aluminium framing and 5 mm flat glass.
- Colors to choose from GOLD - SILVER.

ST-106 GOLD



GOLD

SILVER



Model	Length	Depth	Height	RETAIL PRICE
ST-106	1060	280	160	165 €
ST-120	1200	280	160	210 €
ST-150	1500	280	160	260 €

STP Model

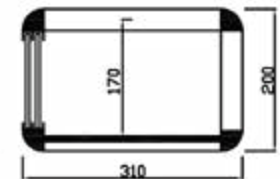
- 30 mm anodised aluminium framing and 5 mm flat glass.
- Completely closed with white plastic-coated board base and sliding glass doors.
- Colors to choose from GOLD - SILVER.

STP-106 GOLD



GOLD

SILVER



Model	Length	Depth	Height	RETAIL PRICE
STP-106	1060	310	200	325 €
STP-120	1200	310	200	395 €

Special Manufacture
CUSTOMISED

Request a quote



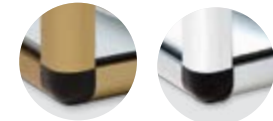
STRAIGHT GLASS NEUTRAL DISPLAY CABINETS

STL

Model

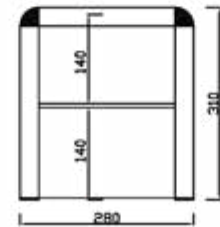
- Display Cabinet without doors.
- 30 mm anodised aluminium framing and 5 mm flat glass.
- 6 mm glass intermediate height adjustable shelf.
- Colors to choose from GOLD - SILVER.

STL-106 SILVER



GOLD

SILVER



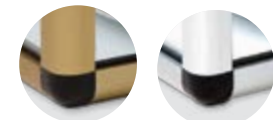
Model	Length	Depth	Height	RETAIL PRICE
STL-106	1060	280	310	275 €
STL-120	1200	280	310	330 €

VP2

Model

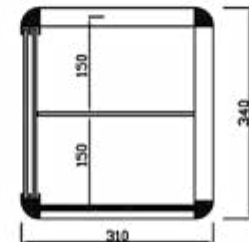
- 30 mm anodised aluminium framing and 5mm flat glass.
- Completely closed with white plastic-coated board base and sliding glass doors.
- 6 mm glass intermediate height adjustable shelf.
- Colors to choose from GOLD - SILVER.

VP2 GOLD



GOLD

SILVER



Model	Length	Depth	Height	RETAIL PRICE
VP2	1060	310	340	410 €



Special Manufacture
CUSTOMISED

Request a quote

STRAIGHT GLASS NEUTRAL DISPLAY CABINETS



VP2C SILVER



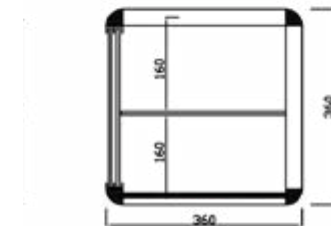
VP2C Model

- 30 mm anodised aluminium framing and 5 mm flat glass.
- Completely closed with white plastic-coated board base and sliding glass doors.
- 6 mm glass intermediate height adjustable shelf.
- Colors to choose from GOLD - SILVER.



GOLD

SILVER



Model	Length	Depth	Height	RETAIL PRICE
VP2C	800	360	360	380 €

VP3 Model

- 30 mm anodised aluminium framing and 5 mm flat glass.
- Completely closed with white plastic-coated board base and sliding glass doors.
- 6 mm glass intermediate height adjustable shelf.
- Colors to choose from GOLD - SILVER.

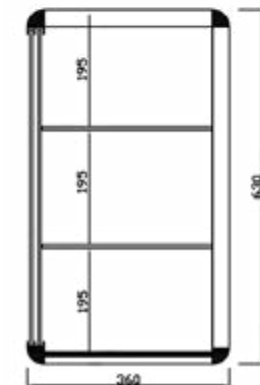


VP3 GOLD



GOLD

SILVER



Model	Length	Depth	Height	RETAIL PRICE
VP3	800	360	630	460 €

Special Manufacture
CUSTOMISED
Request a quote



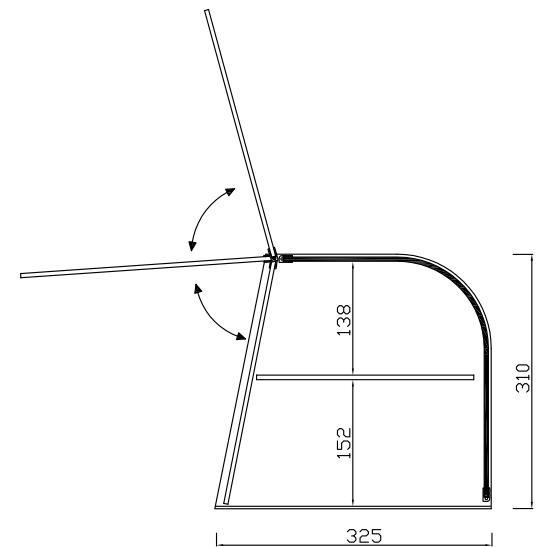
CURVED GLASS

NEUTRAL DISPLAY CABINETS

Walnut lacquered natural wood

PS C Model

- Methacrylate base, shelf and sides.
- Methacrylate folding doors.
- Curved glass.



Model	Length	Depth	Height	RETAIL PRICE
PS-C	430	325	310	215 €

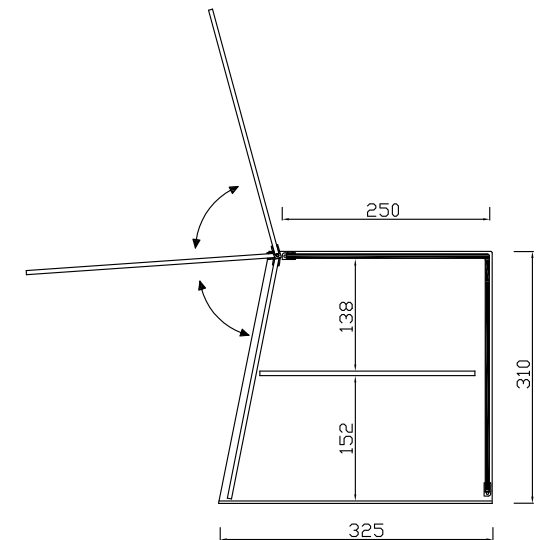
NEUTRAL DISPLAY CABINETS



With door

PS R Model

- Display case manufactured entirely in methacrylate.
- Methacrylate folding doors.



Model	Length	Depth	Height	RETAIL PRICE
-------	--------	-------	--------	--------------

PS-R	430	325	310	215 €
------	-----	-----	-----	-------



NEUTRAL DISPLAY CABINETS

Black Line

LED
Lighting
OPTIONAL



EXPO BLACK 1 Model

- Constructed from black lacquered aluminium, with methacrylate base and lid.
- Methacrylate folding doors.
- Methacrylate sides.
- LED lighting OPTIONAL.
- 3 fixed shelves in glass.
- Tempered front glass.

BLACK-1



Special Manufacture
CUSTOMISED

Request a quote

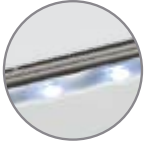
EXPO BLACK 1 MINI Model



Model	Length	Depth	Height	Light	RETAIL PRICE
EXPO BLACK-1	535	455	725	NO	525 €
EXPO BLACK-1 LED	535	455	725	YES	620 €

Model	Length	Depth	Height	Light	RETAIL PRICE
EXPO BLACK-1 MINI	400	320	625	NO	450 €
EXPO BLACK-1 MINI LED	400	320	625	YES	540 €

LED
Lighting
OPTIONAL



NEUTRAL DISPLAY CABINETS

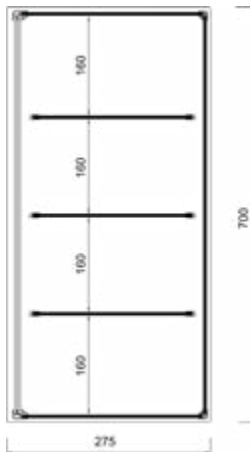


Hydraulic Decoration

HIDRA-3 Model

- Hydraulic decoration sheet metal base.
- 6 mm methacrylate sides.
- 3 fixed methacrylate shelves.
- 5 mm tempered glass cover and front.
- 3 mm methacrylate sliding doors.

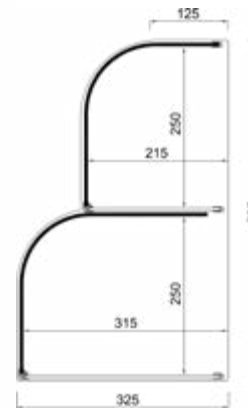
HIDRA-3



HIDRA-2G Model

- Hydraulic decoration sheet metal base and shelf.
- 6 mm methacrylate sides.
- Front divided into 2 curved crystals.
- Open in server area.

HIDRA-2



Model	Length	Depth	Height	RETAIL PRICE
HIDRA-3	615	275	700	495 €
HIDRA-3 LED	615	275	700	590 €

Model	Length	Depth	Height	RETAIL PRICE
HIDRA-2	515	325	525	480 €



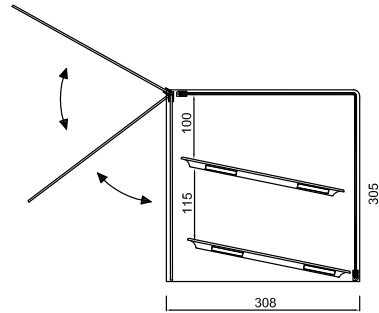
NEUTRAL DISPLAY CABINETS

Gastronorm Trays

VGN 1/2

Model

- Completely methacrylate display cabinet.
- Includes 2 Gastronorm 1/2 (325x265x20 mm.) trays.
- Folding door.



VGN 1/2

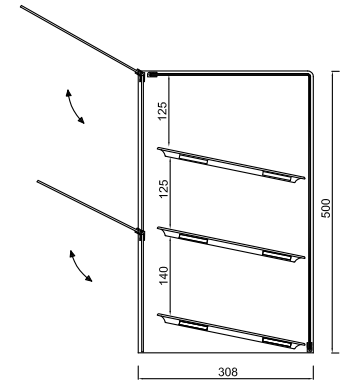


Model	Length	Depth	Height	1/2 trays.	RETAIL PRICE
VGN 1/2	345	308	305	2	250 €

VE2GN 1/2

Model

- Completely methacrylate display cabinet.
- Includes 3 Gastronorm 1/2 (325x265x20 mm.) trays.
- 2 Folding Doors.



VE2GN 1/2



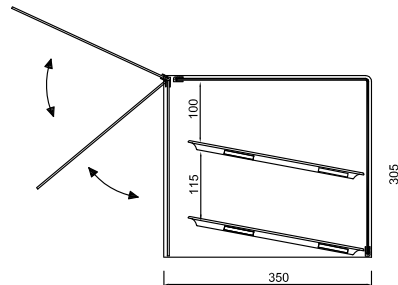
Model	Length	Depth	Height	1/2 trays.	RETAIL PRICE
VE2GN 1/2	345	308	500	3	275 €



VGN 1/1

Model

- Completely methacrylate display cabinet.
- Includes 2 Gastronorm 1/1 (530x325x20 mm.) trays.
- Folding door.



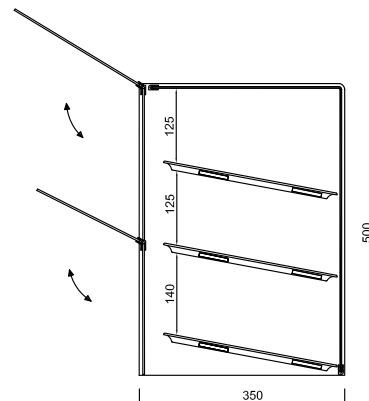
VGN 1/1

Model	Length	Depth	Height	1/1 trays.	RETAIL PRICE
VGN 1/1	545	350	305	2	305 €

VE2GN 1/1

Model

- Completely methacrylate display cabinet.
- Includes 3 Gastronorm 1/2 (325x265x20 mm.) trays.
- 2 Folding Doors.



VE2GN 1/1

Model	Length	Depth	Height	1/1 trays.	RETAIL PRICE
VE2GN 1/1	545	350	500	3	330 €



NEUTRAL DISPLAY CABINETS

Methacrylate



Special Manufacture

CUSTOMISED

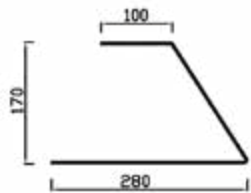
Request a quote

MT Model

- 3mm methacrylate display case.



MT-100



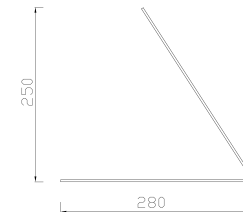
Model	Length	Depth	Height	RETAIL PRICE
MT-50	500	280	170	84 €
MT-75	750	280	170	95 €
MT-100	1000	280	170	105 €

MT-X Model

- 3mm methacrylate display case.



MT-X



Model	Length	Depth	Height	RETAIL PRICE
MT-X50	500	280	250	84 €
MT-X75	750	280	250	95 €
MT-X100	1000	280	250	105 €

NEUTRAL DISPLAY CABINETS



Methacrylate

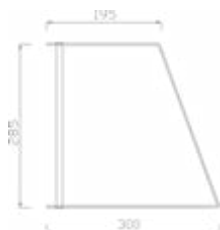
MT-S Model

- 3mm methacrylate display case.
- 2 10 mm Stainless Steel tube.



MT-S 75

Model	Length	Depth	Height	RETAIL PRICE
MT-S50	500	300	285	110 €
MT-S75	750	300	285	120 €
MT-S100	1000	300	285	135 €



MT-R Model

- 3mm methacrylate display case.



MT-R 100

Model	Length	Depth	Height	RETAIL PRICE
MT-R50	500	300	500	120 €
MT-R75	750	300	500	135 €
MT-R100	1000	300	500	150 €



MT-PZ Model

- 3mm methacrylate display case with slate plate.

Model	Length	Depth	Height	RETAIL PRICE
MT-PZ	300	200	170	65 €



**BOARD PLATE INCLUDED
300x200x5**



MT-PZ



NEUTRAL DISPLAY CABINETS

Removable

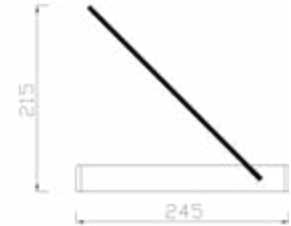
Si

Model

- Tempered safety glass supported on two aluminium brackets.
- Completely removable.



Si-100



Model	Length	Depth	Height	RETAIL PRICE
Si-100	1000	245	215	105 €
Si-120	1200	245	215	115 €

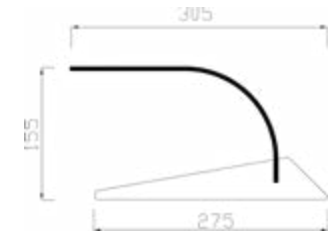
S

Model

- Tempered Curved Glass supported on two BLACK lacquered MDF wooden brackets.
- Completely removable.



S-100



Model	Length	Depth	Height	RETAIL PRICE
S-100	970	305	155	175 €
S-120	1200	305	155	210 €

NEUTRAL DISPLAY CABINETS



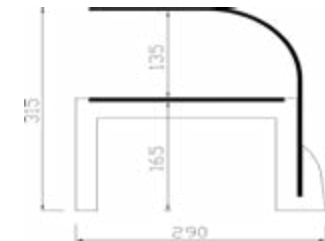
Removable

S2 Model

- Tempered curved glass supported on two BLACK lacquered MDF wooden brackets.
- Intermediate tempered glass shelf.
- Completely removable.



S2 100



Model	Length	Depth	Height	RETAIL PRICE
S2-100	1012	290	315	240 €
S2-120	1212	290	315	280 €

VCXL Model

- Tempered safety glass.
- 15 mm anodized aluminium framing
- 6 mm methacrylate sides.
- Colours to choose from BLACK - STAINLESS STEEL.
- Display case not removable.



BLACK



STAINLESS STEEL



VCXL 80 BLACK



Model	Length	Depth	Height	RETAIL PRICE
VCXL-80	802	300	180	160 €
VCXL-120	1212	300	180	235 €
VCXL-155	1562	300	180	270 €
VCXL-191	1922	300	180	310 €



NEUTRAL DISPLAY CABINETS

For appetisers



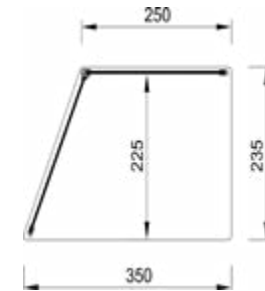
BLACK STAINLESS STEEL

PT-X Model

- 15 mm anodized aluminium framing.
- 6 mm methacrylate sides.
- Front tempered glass cover.
- Colours to choose from BLACK - INOX.
- Open in server area.



PT-X 100 STAINLESS STEEL



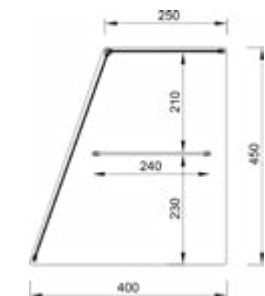
Model	Length	Depth	Height	RETAIL PRICE
PT-X100	1012	350	235	225 €
PT-X120	1212	350	235	275 €

PT-XE Model

- Intermediate shelf.
- 15 mm anodised aluminium framing
- 6 mm methacrylate sides.
- Front tempered glass cover.
- Colours to choose from BLACK - INOX.
- Open in server area.



PT-XE 100 BLACK



Model	Length	Depth	Height	RETAIL PRICE
PT-XE100	1012	400	450	300 €
PT-XE120	1212	400	450	345 €



BLACK



STAINLESS STEEL

NEUTRAL DISPLAY CABINETS



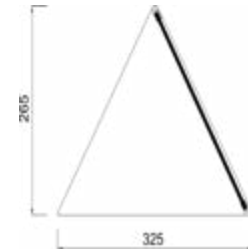
For appetisers

TRI Model

- 15 mm anodised aluminium framing.
- 6 mm methacrylate sides.
- Inclined tempered glass front.
- Colours to choose from BLACK - STAINLESS STEEL.
- Open in server area.



TRI 100 BLACK



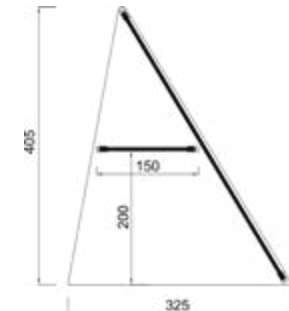
Model	Length	Depth	Height	RETAIL PRICE
TRI-100	1012	325	265	125 €
TRI-120	1212	325	265	145 €

TRI-E Model

- 15 mm anodised aluminium framing.
- 6 mm methacrylate sides.
- Inclined tempered glass front.
- Colours to choose from BLACK - STAINLESS STEEL.
- Open in server area.



TRI-E 100 STAINLESS STEEL



Model	Length	Depth	Height	RETAIL PRICE
TRI-E100	1012	325	405	180 €
TRI-E120	1221	325	405	210 €



NEUTRAL DISPLAY CABINETS

For appetisers



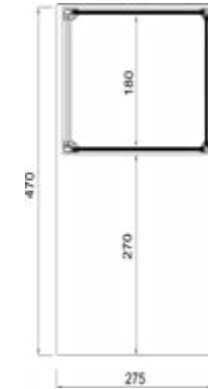
BLACK STAINLESS STEEL

OP Model

- 15 mm anodised aluminium framing.
- 6 mm methacrylate sides.
- 3 mm sliding methacrylate doors.
- Laminated board base.
- Front tempered glass cover .
- Colours to choose from BLACK - INOX.
- Open lower area.



OP 100



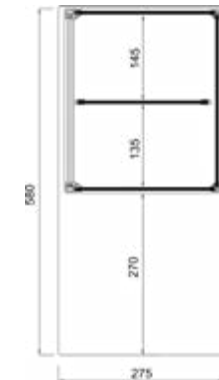
Model	Length	Depth	Height	RETAIL PRICE
OP-100	1012	275	470	315 €
OP-120	1212	275	470	375 €

OP-2 Model

- Intermediate shelf.
- 15 mm anodised aluminium framing.
- 6 mm methacrylate sides.
- 3 mm sliding methacrylate doors.
- Laminated board base.
- Front tempered glass cover .
- Colours to choose from BLACK - INOX.
- Open lower area.



OP-2 100



Model	Length	Depth	Height	RETAIL PRICE
OP-2100	1012	275	580	395 €
OP-2120	1212	275	580	430 €

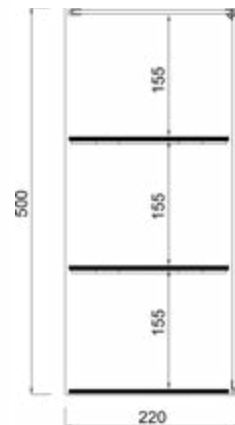


3 PZ Model

- 15mm BLACK anodised aluminium framing
- 6 mm methacrylate sides.
- 3 300x200x5 slate shelves included.
- Open in server area.
- Tempered glass.



3 PZ



Model	Length	Depth	Height	RETAIL PRICE
3 PZ	320	220	500	190 €

4 ECR Model

- 4 methacrylate shelves neutral display case.
- Colour BLACK - INOX. framing.
- 6 mm methacrylate side.
- 5mm glass front cover.



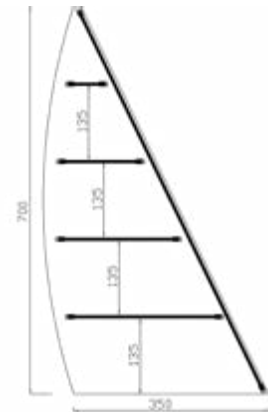
BLACK



STAINLESS STEEL



4 ECR BLACK



Model	Length	Depth	Height	RETAIL PRICE
4 ECR	600	350	700	400 €



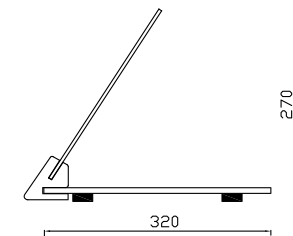
NEUTRAL DISPLAY CABINETS

HD-Si

Model

- Tempered safety glass supported on two aluminium supports.
- Completely removable.
- Base decoration to choose from: NATUR / GREY / SAND.

HD-Si NATUR

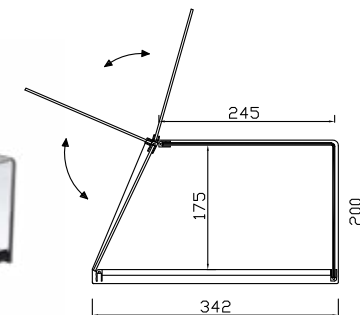


HD-1

Model

- Display cabinet made of methacrylate.
- Methacrylate lid.
- Base decoration to choose from: NATUR / GREY / SAND / OAK / WALNUT

HD-1 GREY



BASE OPTION

NATUR



GREY



SAND



OAK



WALNUT

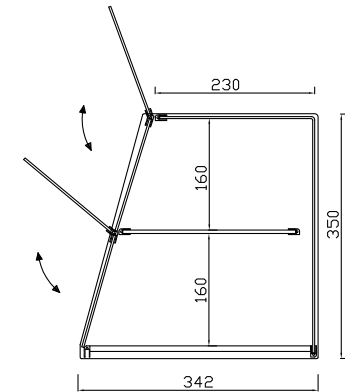




HD-2 WALNUT

HD-2 Model

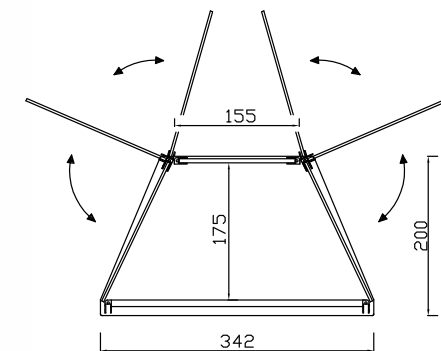
- Display cabinet made of methacrylate..
- Folded methacrylate lid.
- Intermediate glass shelf
- 2 Folding Doors.
- Base decoration to choose from:
NATUR / GREY / SAND / OAK / WALNUT



HD-3 SAND

HD-3 Model

- Methacrylate display cabinet.
- Glass lid.
- Folding doors on both sides.
- Base decoration to choose from:
NATUR / GREY / SAND / OAK / WALNUT



Model	Length	Depth	Height	RETAIL PRICE
HD-Si	625	320	270	105 €
HD-1	635	342	200	275 €
HD-2	635	342	350	340 €
HD-3	635	342	200	295 €



DISPLAY CABINET TRAYS

GN 1/2 T

Model

- Gastronorm display cabinet trays with lid.

GN 1/2 T



Model	Length	Depth	Height	RETAIL PRICE
GN 1/2 T	325	265	118	42 €

GN 1/1 T

Model

- Gastronorm display cabinet trays with lid.

GN 1/1 T



Model	Length	Depth	Height	RETAIL PRICE
GN 1/1 T	530	325	82	55 €

ROBLEX RCT

Model

- Rectangular buffet container with oak tray.

ROBLEX-RCT



Model	Length	Depth	Height	RETAIL PRICE
ROBLEX-RCT	540	345	200	110 €

ROBLEX OCT

Model

- Rectangular buffet container with oak tray.

ROBLEX-OCT



Model	Length	Height	RETAIL PRICE
ROBLEX-OCT	480	270	130 €



CAKE AND PASTRY

Model

- Cake and pastry holder with tray and spatula to serve with oak base.



Model	Length	Depth	Height	RETAIL PRICE
PASTRY	380	360	160	85 €

CHEESE

Model

- Cheese holder with oak tray.



Model	Length	Depth	Height	RETAIL PRICE
CHEESE	290	340	100	80 €

POLI

Model

- Polycarbonate containers.

Model	Length	Depth	Height	RETAIL PRICE
POLI-1	460	310	200	95 €
POLI-2	460	310	410	125 €

POLI-1



POLI-2



SPARE PARTS

CURVED GLASSES FOR CHILLED DISPLAY CASES INCORPORATED GROUP

20° radius curved glass	4 Trays	length 1200	380 €	Models: 20rf-4 20r-f120 shs-4i shs-120i mb-4
20° radius curved glass	6 Trays	length 1550	395 €	Models: 20rf-6 20r-f150 shs-6i shs-150i mb-6
20° radius curved glass	8 Trays	length 1910	410 €	Models: 20rf-8 20r-f200 shs-8i shs-200i mb-8
Curved glass	4 Trays	length 1200	180 €	Models: fr-4i fr-120i
Curved glass	6 Trays	length 1550	220 €	Models: fr-6i fr-150i
Curved glass	8 Trays	length 1910	270 €	Models: fr-8i fr-200i
Curved glass shelf	4 Trays	length 1200	230 €	Models: fr-4ie fr-120ie abf-4c abf-120c suc-4 scu-120
Curved glass shelf	6 Trays	length 1550	250 €	Models: fr-6ie fr-150ie abf-6c abf-150c suc-6 scu-150
Curved glass shelf	8 Trays	length 1910	270 €	Models: fr-8ie fr-200ie abf-8c abf-200c suc-8 scu-200

CURVED GLASS FOR REMOTE GROUP CHILLED DISPLAY CASES

Curved glass height 180		length 1160	160 €	Models: mar-f6
Curved glass height 180		length 1200	180 €	Models: mar-120
Curved glass height 180		length 1500	220 €	Models: mar-150 marf-8
Curved glass height 180		length 1850	270 €	Models: mar-f10
Curved glass height 180		length 2000	320 €	Models: mar-200
Curved glass	4 Trays	length 790	160 €	Models: fr-4 ca-4 sc-4
Curved glass	6 Trays	length 1140	160 €	Models: fr-6 ca-6 sc-6
Curved glass		length 1200	180 €	Models: fr-120 ca-8 sc-8
Curved glass	8 Trays	length 1500	220 €	Models: fr-8 fr-150
Curved glass	10 Trays	length 1850	270 €	Models: fr-8
Curved glass		length 2000	330 €	Models: fr-200
Curved glass shelf	4 Trays	length 790	210 €	Models: fr-4e ca-4e sc-4e
Curved glass shelf	6 Trays	length 1140	210 €	Models: fr-6e mar-f6et ca-6e sc-6e
Curved glass shelf		length 1200	230 €	Models: fr-120e mar-120et
Curved glass shelf	8 Trays	length 1500	270 €	Models: fr-8e fr-150e mar-f8et mar-150et ca-8e sc-8e
Curved glass shelf	10 Trays	length 1850	320 €	Models: mar-f10et
Curved glass shelf		length 2000	380 €	Models: mar-f200et
20° radius curved glass		length 1200	360 €	Models: 20r-f6gr 20r-f120gr
20° radius curved glass		length 1500	375 €	Models: 20r-f8gr 20r-f150gr
20° radius curved glass		length 1910	390 €	Models: 20r-f10gr 20t-f200gr

METHACRYLATE SLIDING DOORS 3 mm. (unit)

For display case	4 Trays	28 € /	4E with shelf	32 €
For display case	6 Trays	30 € /	6E with shelf	36 €
For display case	8 Trays	32 € /	8E with shelf	38 €
For display case	10 Trays	34 € /	8E with shelf	40 €

METHACRYLATE SLIDING DOORS 5mm (unit)

For display case	6 Trays	40 €
For display case	120 chilled c.	40 €
For display case	8 Trays – chilled c.	50 €
For display case	10 Trays	55 €
For display case	200 chilled c.	60 €

SIDES

8 mm transparent side	58 €
8 mm black side	70 €
3 mm black motor grille cover	60 €

LIGHTING

18 w LED transformer	30 €	
18 w LED transformer	40 €	
Adhesive LED strip	4 Trays	30 €
Adhesive LED strip	6 Trays	40 €
Adhesive LED strip	8 Trays	50 €
Adhesive LED strip		35€ / linear meter

CHILLED DISPLAY CASE COMPONENTS

Embraco compressor r-290	180 €
Lube capacitor	160 €
Shielded bellows switch	7 €
ako Digital thermostat	50 €
REMOTE GROUP complete	440 €

HEATED DISPLAY CASE COMPONENTS

Heat thermostat manual	40 €	
700w Bain marie resistance	4 Trays 700w	95 €
1000w Bain marie resistance	6 Trays 1000w	105 €
13000w Bain marie resistance	8 Trays 13000w	115 €

CURVED GLASS FOR NEUTRAL DISPLAY CABINETS

Curved vc-97	105 €	Models: vc-100	inox-vc100	inox-vcp 100
Curved vc-120	110 €	Models: vc-120	inox-vc120	inox-vcp120
Curved vcl-97	115 €	Models: vcl-100	inox-vcl100	inox-vclp100 nclp-100
Curved vcl-120	125 €	Models: vcl-120	inox-vcl120	inox-vclp120 nclp-120
Curved ncp-97	145 €	Models: ncp-100		
Curved ncp-120	155 €	Models: ncp-120		

LATERALES NEUTRAL DISPLAY CABINETS (unit)

6 mm transparent SIDE	VC	VR	VRP	NCP	45 €
6 mm transparent SIDE	VCL	VRL	VRLP	NCLP	55 €

GENERAL SALES TERMS AND CONDITIONS

PRICES

The prices of these rates are retail prices, taxes NOT included.

ORDERS

Orders must be submitted in writing (email or fax) so that tangible evidence of the models to be ordered is available.

Email: pedidos@vitrinasgomez.com

Fax: + 34 967 654 316

The orders must be submitted with the references of each product specified in the current catalogue.

PACKAGING

Free. Included in the price.

WARRANTY

The glasses, luminous equipment and electrical resistances, are NOT included in the warranty.

The start-up and subsequent maintenance of the section will be solely undertaken by the purchaser who must perform the procedures with qualified personnel.

Our warranty covers only the replacement of materials with manufacturing defects - free of charge - for the purchaser.

The goods have a 12 month warranty.

The warranty does not cover transport or labour costs.

Covering only manufacturing defects, never defects in operation caused by any shortage in water and electricity supplies due to poor handling by the user.

RETURNS

No return will be accepted after 15 days following shipment, and these must be returned with their original packaging and have not been tested or used.

TITLE TO GOODS

The goods are the property of VITRINAS GOMEZ S.L. until the payment thereof in the entirety by the customer.

WARRANTY CANCELLATION

Due to connection to electrical networks with insufficient or different voltage specified on the nameplate.

Blows, fire, falls and in general for any accident whatsoever that may occur from leaving of our facilities.

TRANSPORT DETERIORATION

These damages must be claimed from the carrier. Vitrinas Gómez shall NOT be held liable for any damages which has not been claimed from the freight forwarder or to VITRINAS GOMEZ S.L. within the legally prescribed term of 24 hours following receipt of the material.

VITRINAS GOMEZ SL reserves the right to amend or delete models, material specifications and prices of these rates without prior notice.

RETURNS

No returns will be accepted after 15 days of shipment, and must be forwarded in their original packaging nor have been tested or used.

OWNERSHIP OF THE GOODS

The goods remain the property of VITRINAS GOMEZ S.L until these have been paid in full by the client.

WARRANTY VOID

Connection to electrical networks with insufficient or different voltage specified on the nameplate.

Bumps, knocks, fire, falls and in general for any accident which can be produced from the moment the products leave of our facilities.

TRANSPORT DAMAGES

These must be claimed from the carrier. Vitrinás Gómez shall NOT be liable for any damages whatsoever which have not been claimed from the haulage company or from VITRINAS GÓMEZ S.L. within the statutory deadline of 24 hours after receipt of the material.

VITRINAS GOMEZ SL reserves the right to modify or delete any Models, material specifications and prices of this price list without prior notice.





Pol. Ind. Romica
Calle A - Parcela 34 - Nave 1-2
Apdo. Correos 8078
02080 Albacete



+34 967 254 029



comercial@vitrinasgomez.com



vitrinasgomez.com



686 047 146 (WhatsApp)